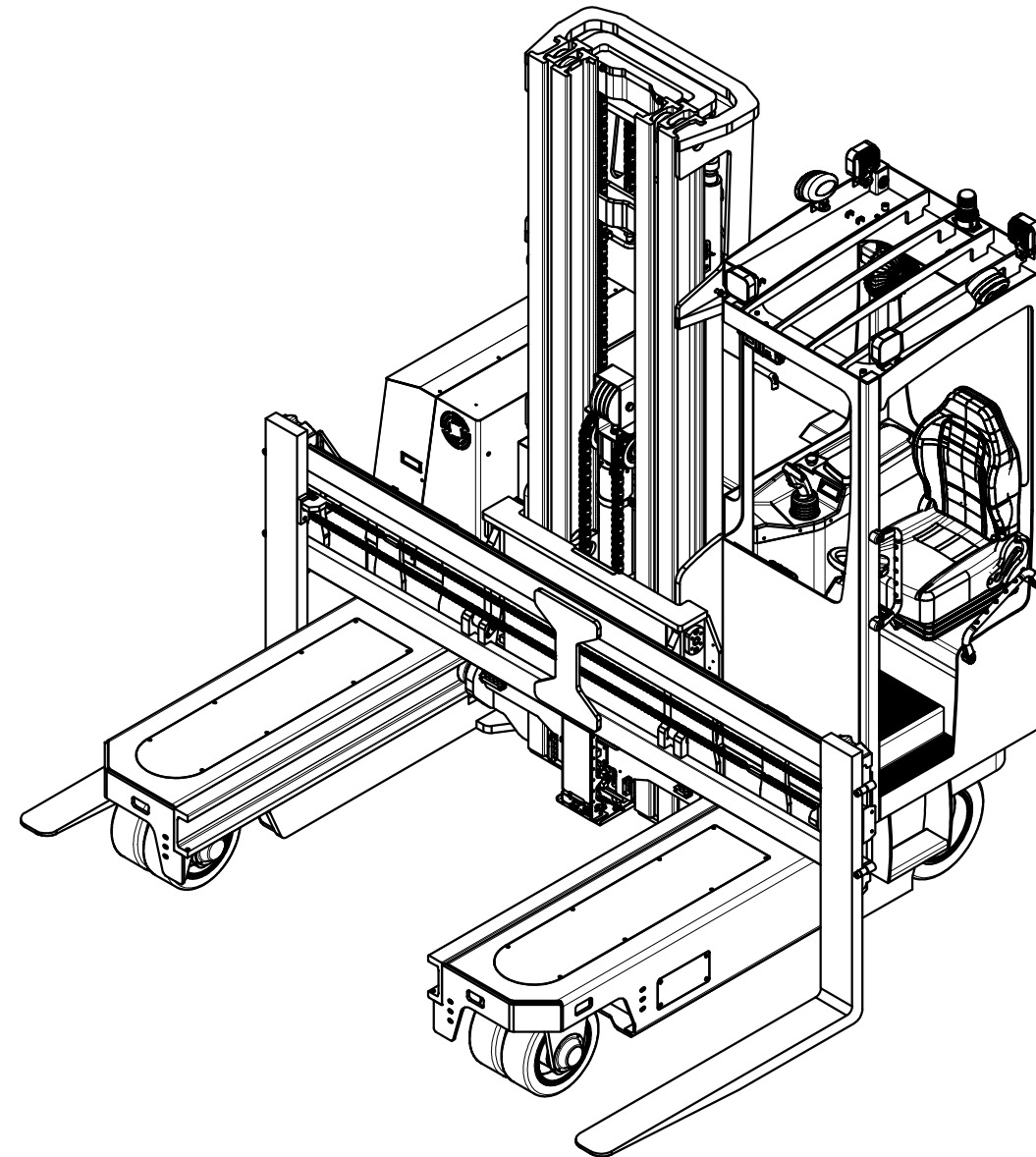


MiMA® **米玛**®

MATERIAL HANDLING EQUIPMENT
DESIGNER & MANUFACTURER

PARTS LIST

MQC40 MULTI-
DIRECTIONAL
FORKLIFT TRUCK



BANYITONG SCIENCE&TECHNOLOGY DEVELOPING CO.,LTD.

INSTRUCTION

- 1.This parts list include the main parts of MQC40 multi-directional forklift truck
- 2.When user purchase the parts, please write clearly the model and series No. of the electric forklift,the item No., name and quantity of the required part;
- 3.To ensure quality,please use our parts when repair and change the parts;
- 4.We'll improve or change some part to improve the quality of the forklift, this parts list can't modify one by one on time, thanks for your understanding. Please contact with our sales manager or distributor for details.

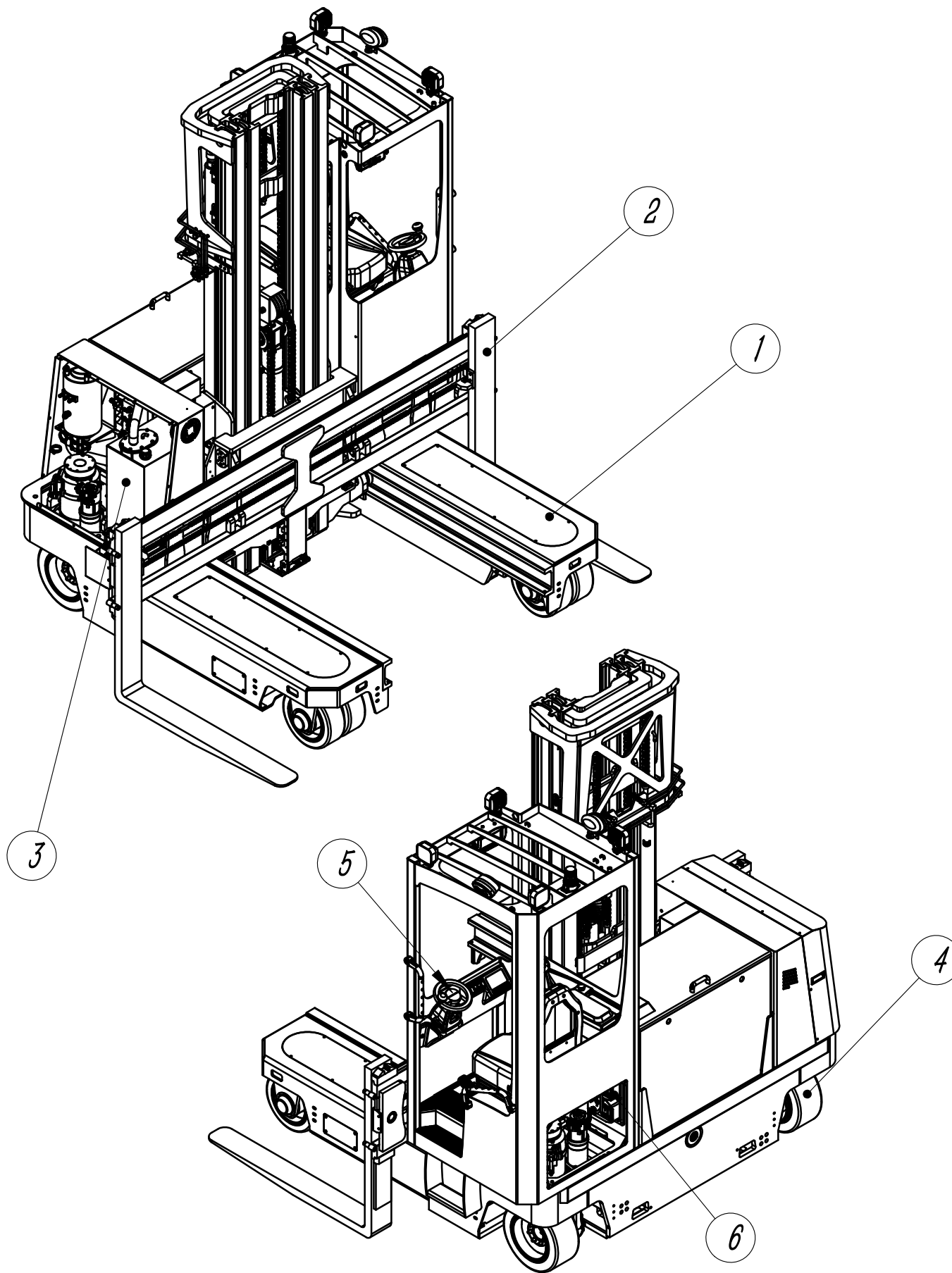
Content

| NO. | CODE | DESIGNATION | SUITABLE MODEL | PAGE |
|----------------|----------------|----------------------------------|----------------|------|
| Assembly | | | | |
| Fig.0-1 | MQC40 | Multi-directional forklift truck | | 0-1 |
| Body system | | | | |
| Fig.1-1 | MQC35.1 | Body system | | 1-1 |
| Fig.1-2 | MQC35.1.2 | Baering wheel assembly | | 1-2 |
| Fig.1-3 | MQC35.1.3 | Cabin assembly | | 1-3 |
| Fig.1-4 | MQC35.1.4 | Swing bridge assembly | | 1-4 |
| Fig.1-5 | MQC35.1.5 | Swing shaft assembly | | 1-5 |
| Fig.1-6 | MQC35.1.6 | Right box assembly | | 1-6 |
| Fig.1-7 | MQC35.1.9 | Limit slider assembly | | 1-7 |
| Lifting system | | | | |
| Fig.2-1 | MQC35.2SQ | Liftingg system | | 2-1 |
| Fig.2-2 | MQC35.2.1SQ-ZP | Outer mast assembly | | 2-2 |
| Fig.2-3 | MQC35.2.2SQ-ZP | Middle mast assembly | | 2-3 |
| Fig.2-4 | MQC35.2.3SQ-ZP | Inner mast assembly | | 2-4 |
| Fig.2-5 | MQC35.2.4SQ-ZP | Inner slide carriage assembly | | 2-5 |

Content

| NO. | CODE | DESIGNATION | SUITABLE MODEL | PAGE |
|------------------|----------------|------------------------------|----------------|------|
| Fig.2-6 | MQC35.2.5SQ-ZP | Fork carriage assembly | | 2-6 |
| Hydraulic system | | | | |
| Fig.3-1 | MQC35.3SQ | Hydraulic system | | 3-1 |
| Fig.3-2 | MQC35.3.1 | Hydraulic tank assembly | | 3-2 |
| Fig.3-3 | MQC35.3.2 | Pump motor assembly | | 3-3 |
| Fig.3-4 | MQC35.3.5 | Lift solenoid valve assembly | | 3-4 |
| Drive System | | | | |
| Fig.4-1 | MQC35.4 | Driving system | | 4-1 |
| Steering system | | | | |
| Fig.5-1 | MQC35.5 | Steering system | | 5-1 |
| Fig.5-2 | MQC35.5.1 | Front steering assembly | | 5-2 |
| Fig.5-3 | MFZ25.5.4 | Steering motor assembly | | 5-3 |
| Fig.5-3 | MQC35.5.2 | Steering wheel assembly | | 5-4 |
| Electri system | | | | |
| Fig.6-1 | MQC35.7 | Electric system | | 6-1 |
| Fig.6-2 | MQC35.7.1 | Battery assembly | | 6-2 |

Fig.0-1 MQC40 Multi-directional forklift truck

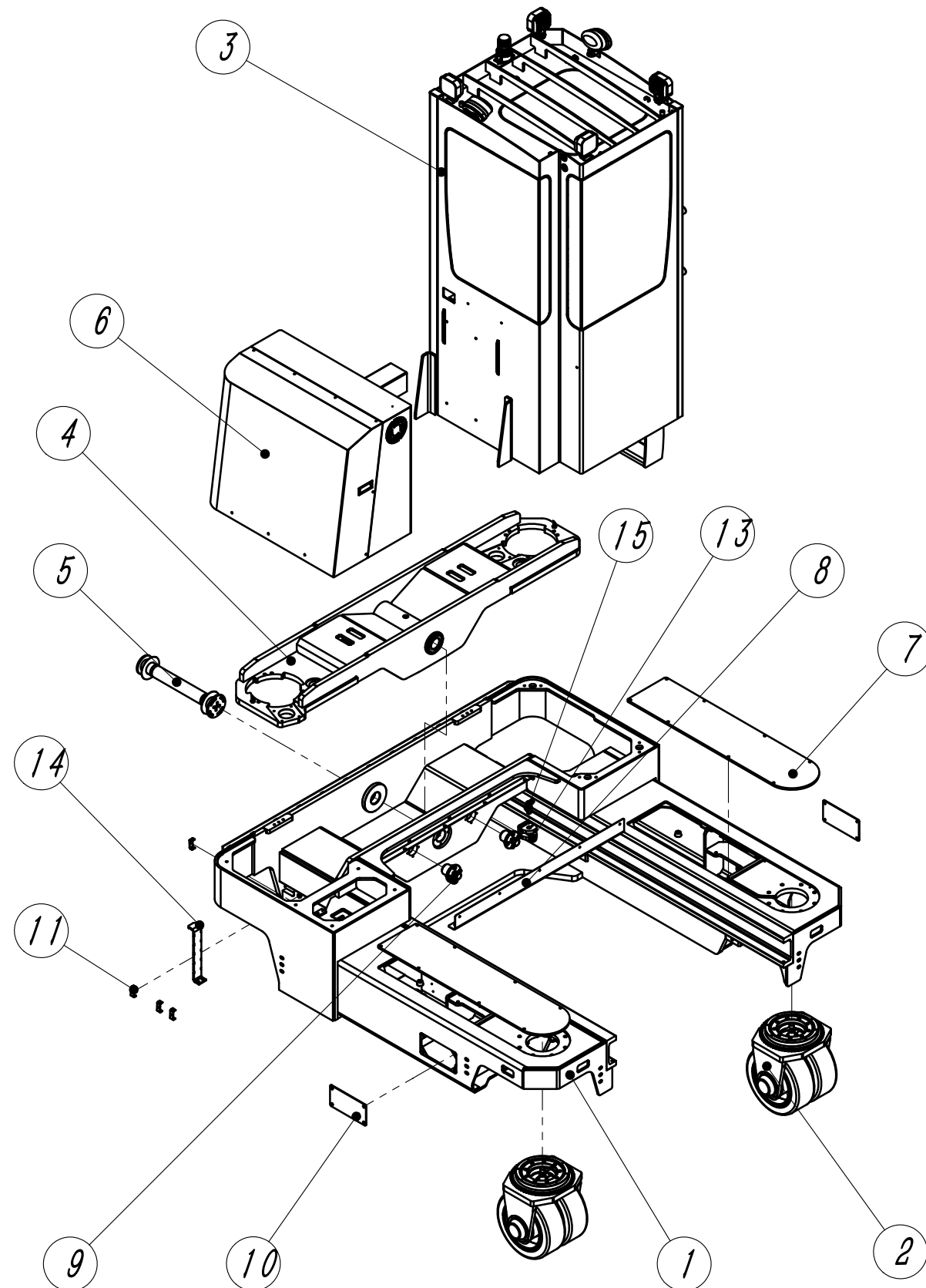


Suitable for MQC40 model

| No. | Code | Name | Qty | Remark |
|-----|-----------|------------------|-----|--------|
| 1 | MQC35.1 | Body system | 1 | |
| 2 | MQC35.2SQ | Lifting system | 1 | |
| 3 | MQC35.3SQ | Hydraulic system | 1 | |
| 4 | MQC35.4 | Driving system | 2 | |
| 5 | MQC35.5 | Steering system | 1 | |
| 6 | MQC35.7 | Electri system | 1 | |
| 7 | | | | |
| 8 | | | | |
| 9 | | | | |
| 10 | | | | |
| 11 | | | | |
| 12 | | | | |
| 13 | | | | |
| 14 | | | | |
| 15 | | | | |
| 16 | | | | |
| 17 | | | | |
| 18 | | | | |
| 19 | | | | |
| 20 | | | | |
| 21 | | | | |
| 22 | | | | |
| 23 | | | | |
| 24 | | | | |

Fig. 1-1 MQC35.1 Body system

Suitable for MQC40 model



| No. | Code | Name | Qty | Remark |
|-----|----------------|---------------------------------|-----|--------|
| 1 | MQC35.1.1 | Frame welded | 1 | |
| 2 | MQC35.1.2 | Bearing wheel assembly | 2 | |
| 3 | MQC35.1.3 | Cabin assembly | 1 | |
| 4 | MQC35.1.4 | Swing bridge assembly | 1 | |
| 5 | MQC35.1.5 | Swing shaft assembly | 1 | |
| 6 | MQC35.1.6 | Right box assembly | 1 | |
| 7 | MQC35.1.7 | Support leg upper sealing plate | | |
| 8 | MQC35.1.8 | Trunking | 1 | |
| 9 | MQC35.1.9 | Limited sliding block | 2 | |
| 10 | MFQ25.1.9 | Support leg side cover plate | 2 | |
| 11 | MF13.1.22 | Reach oil tube clamp | 4 | |
| 12 | XJJZD06322418 | Rubber shock cushion | 2 | |
| 13 | MQB30.1.7F101 | Cylinder seat welded | 2 | |
| 14 | MQB30.1.14F101 | Walk line board | 1 | |
| 15 | XZ20-055-LW-ZP | Ear plate pin | 2 | |
| 16 | | | | |
| 17 | | | | |
| 18 | | | | |
| 19 | | | | |
| 20 | | | | |
| 21 | | | | |
| 22 | | | | |
| 23 | | | | |
| 24 | | | | |

Fig.1-2 MQC35.1.2 Bearing wheel assembly

Suitable for MQC40 model

| No. | Code | Name | Qty | Remark |
|-----|------------------|------------------------------|-----|--------|
| 1 | MQC35.1.2.1 | Bearing wheel carrier welded | | |
| 2 | MQC35.1.2.2 | Bearing wheel axle | 1 | |
| 3 | MQC35.1.2.3 | Spacer | 2 | |
| 4 | MQC35.1.2.4 | Steering big chain wheel | 1 | |
| 5 | MQC35.1.2.5 | Front wheel encoder | 1 | |
| 6 | TFC25.1.4.9 | Block cover | 2 | |
| 7 | 14×5-10-SM-MQC40 | Solid tyre assembly | 2 | |
| 8 | BYT-005-00 | Slewing bearing | 1 | |
| 9 | GT567505 | Spacer | 2 | |
| 10 | GB276 6311-2Z | Deep groove ball bearing | 4 | |
| 11 | GB858 48 | Lock washer for round nut | 2 | |
| 12 | GB812 M48×1.5 | Round nut | 4 | |
| 13 | | | | |
| 14 | | | | |
| 15 | | | | |
| 16 | | | | |
| 17 | | | | |
| 18 | | | | |
| 19 | | | | |
| 20 | | | | |
| 21 | | | | |
| 22 | | | | |
| 23 | | | | |
| 24 | | | | |

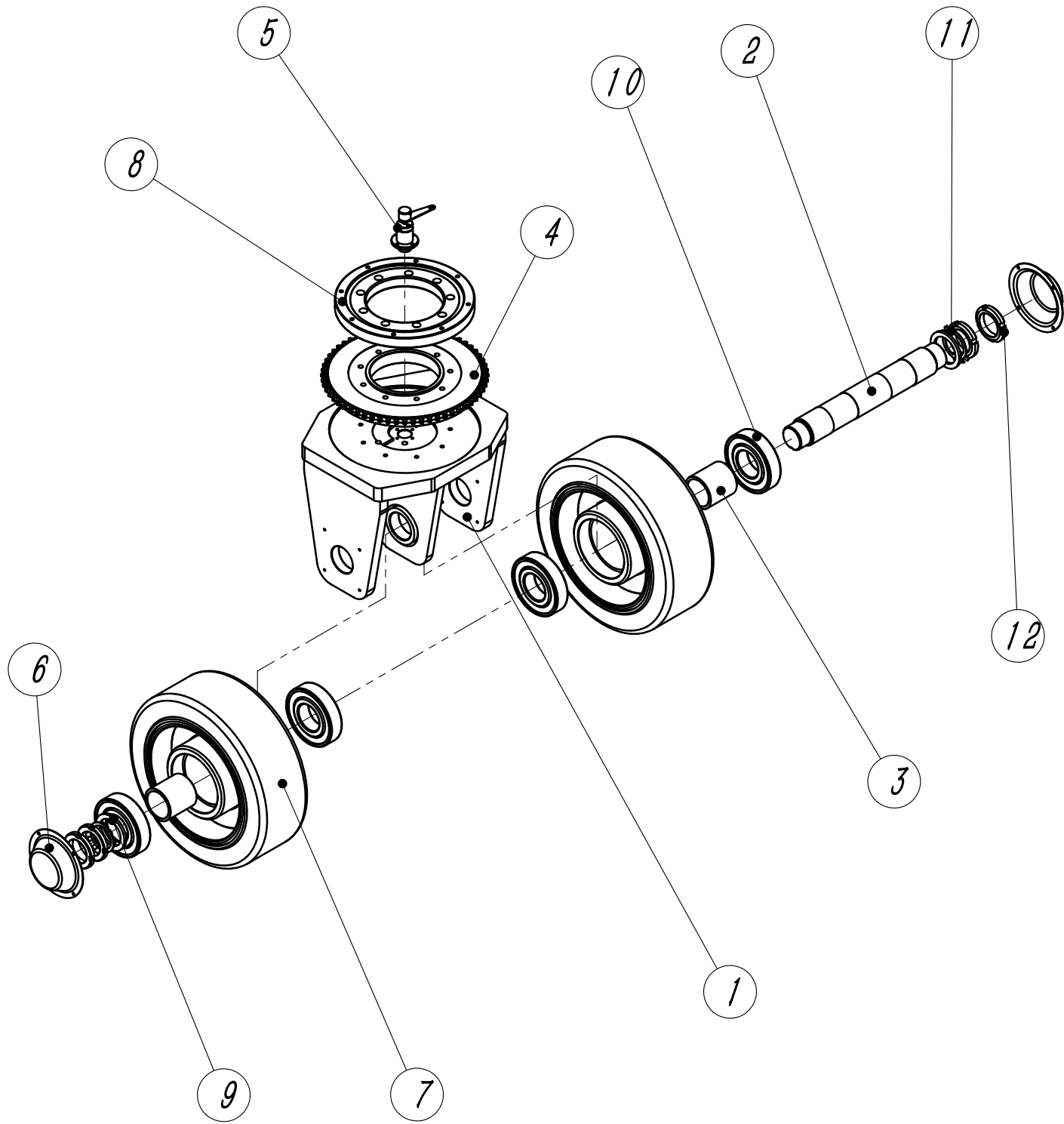
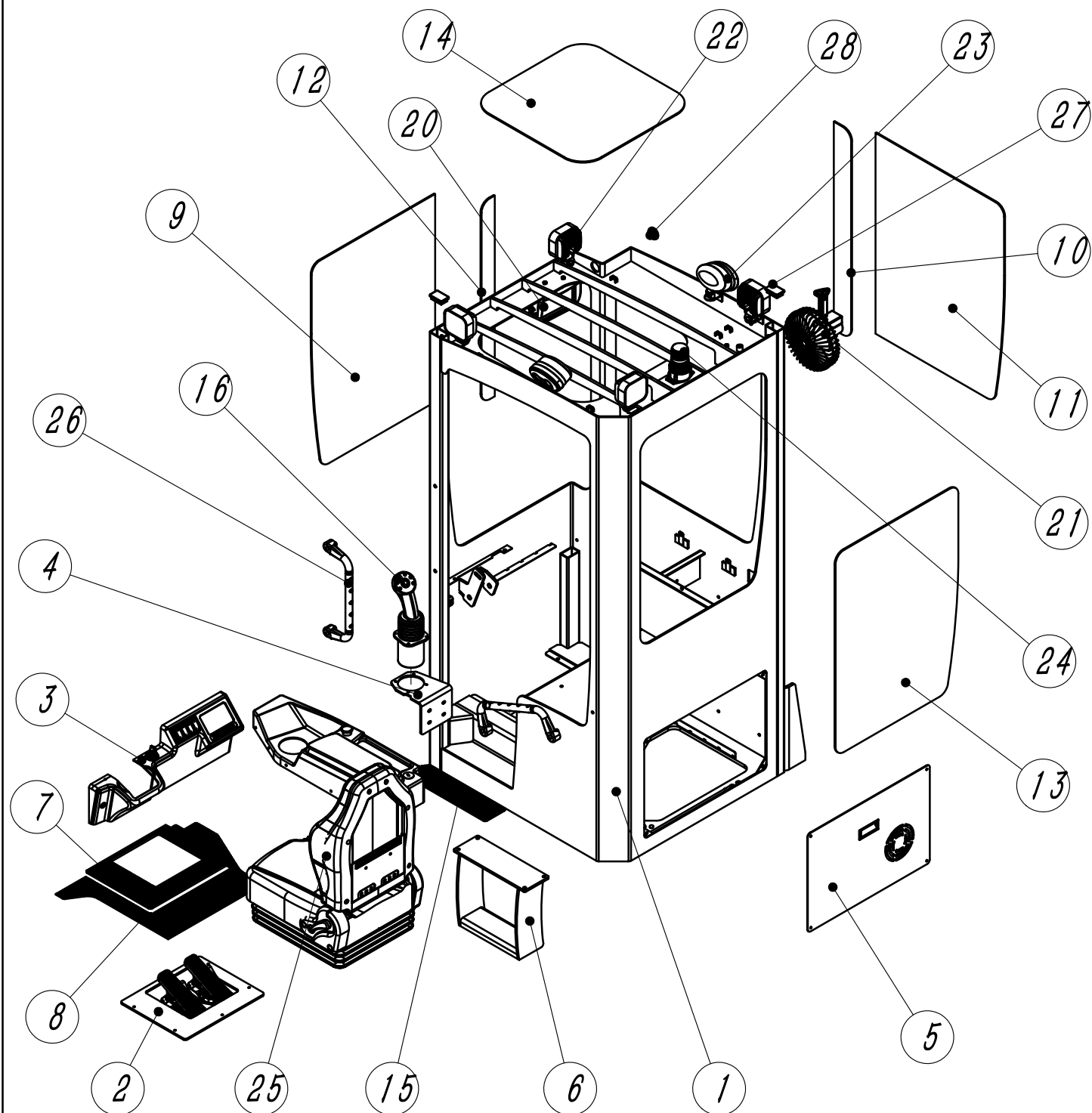


Fig.1-3 MQC35.1.3 Cabin assembly



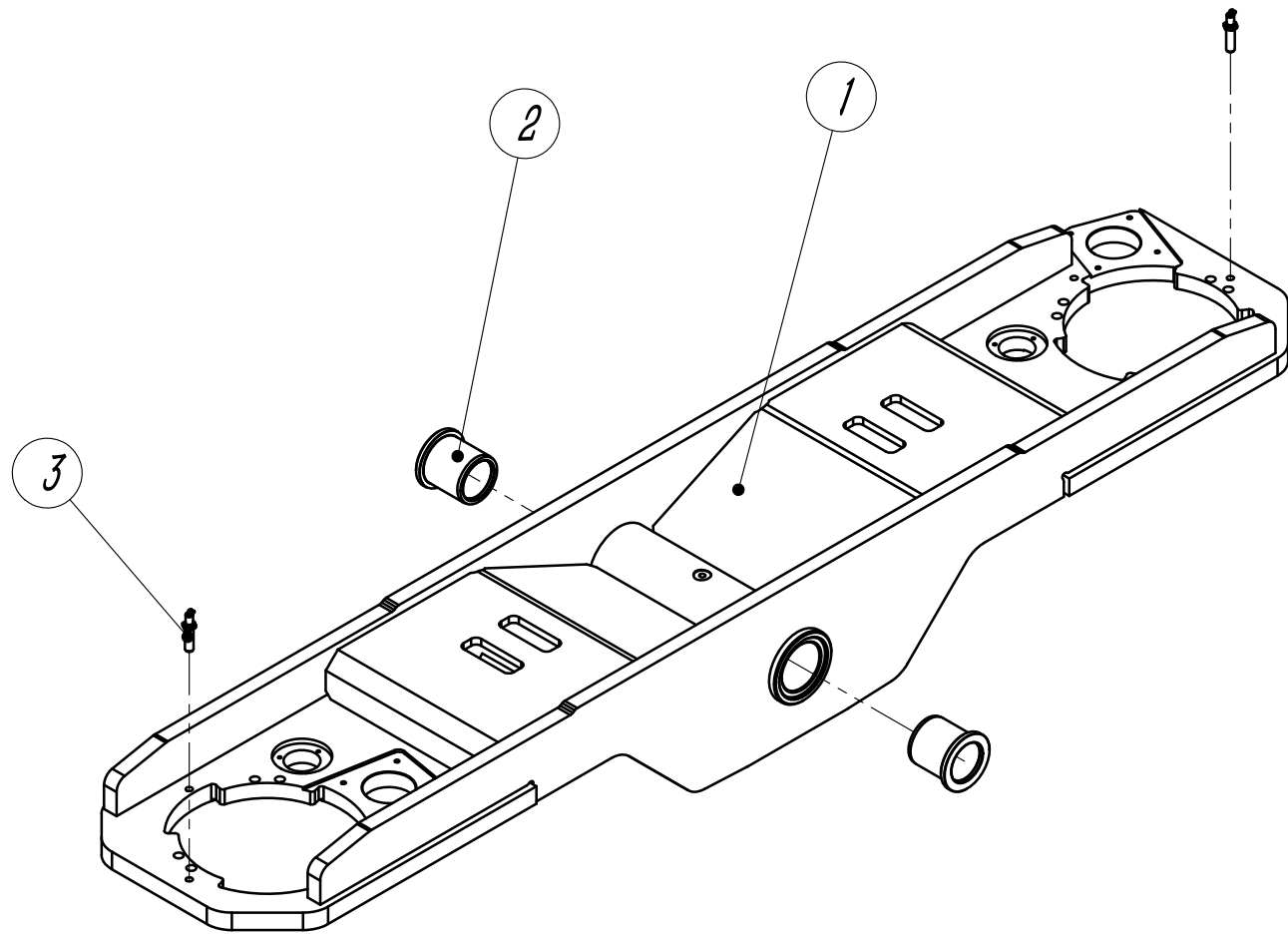
Suitable for MQC40 model

| No. | Code | Name | Qty | Remark |
|-----|-------------------|----------------------------|-----|--------|
| 1 | MQC35.1.3.1 | Cab welded | 1 | |
| 2 | MQC35.1.3.2-ZP | Pedal welded | 1 | |
| 3 | MQC35.1.3.3 | Covering parts assembly | 1 | |
| 4 | MQC35.1.3.4 | Handle mounting plate | 1 | |
| 5 | MQC35.1.3.5-ZP | Cab sealing plate assembly | 1 | |
| 6 | MQC35.1.3.6 | Transition pedal welded | 1 | |
| 7 | MQC35.1.3.7 | Rubber gasket I | 1 | |
| 8 | MQC35.1.3.8 | Rubber gasket II | 1 | |
| 9 | MQC35.1.3.10 | Front glass I | 1 | |
| 10 | MQC35.1.3.11 | Front glass II | 1 | |
| 11 | MQC35.1.3.12 | Side glass I | 1 | |
| 12 | MQC35.1.3.13 | Side glass II | 1 | |
| 13 | MQC35.1.3.14 | Rear glass | 1 | |
| 14 | MQC35.1.3.16 | Upper glass | 1 | |
| 15 | MQC35.1.3.17 | Rubber gasket III | 1 | |
| 16 | BV85R | Handle | 1 | |
| 17 | DL2280-24V | Horn | 1 | |
| 18 | DJB-24B-ZP-A | Reverse buzzer | 1 | |
| 19 | ZB030048024TA-BYT | DC convert | 1 | |
| 20 | 17032010-7 | Wireless display | 1 | |
| 21 | DS08B 24VD.C | Fan | 1 | |
| 22 | BYT-DD-01 | Headlight | 4 | |
| 23 | LGD-0001 | Blue light | 2 | |
| 24 | XRL2010B | LED warning light | 1 | |

| No. | Code | Name | Qty | Remark |
|-----|----------------|-----------------|-----|--------|
| 25 | BF6-3AB-FABRIC | Suspension seat | 1 | |
| 26 | A6S55-10421 | Handrail | 2 | |
| 27 | RC6040MC | Pipe plug | 2 | |
| 28 | HXQ-30×35M | Protective ring | 5 | |

Fig.1-4 MQC35.1.4 Swing bridge assembly

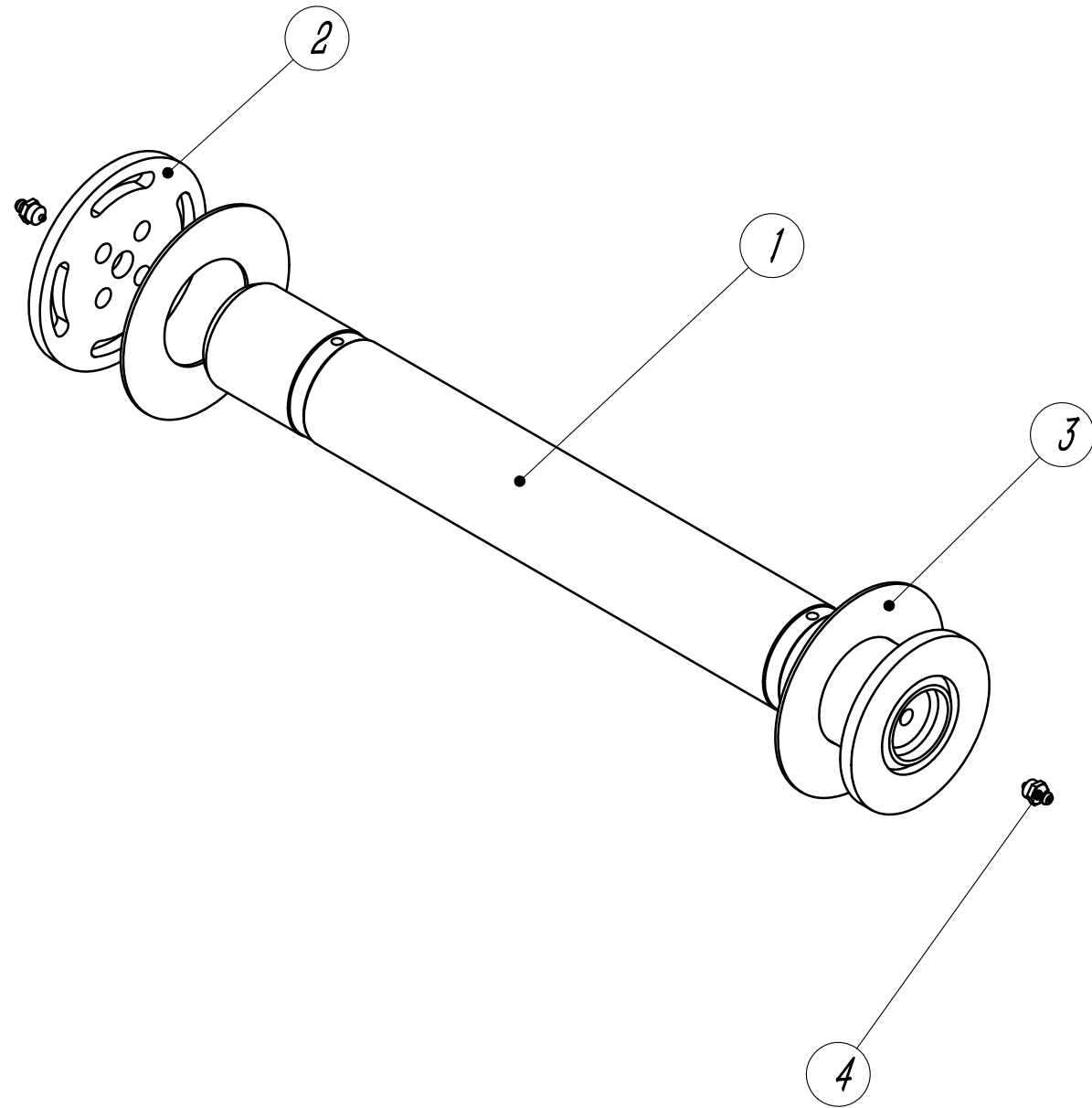
Suitable for MQC40 model



| No. | Code | Name | Qty | Remark |
|-----|-----------------|---------------------|-----|--------|
| 1 | MQC35.1.4.1 | Swing bridge welded | 1 | |
| 2 | HZF607580 | Sliding bearing | 2 | |
| 3 | IME12-04BPSZW2S | Proximity switch | 2 | |
| 4 | | | | |
| 5 | | | | |
| 6 | | | | |
| 7 | | | | |
| 8 | | | | |
| 9 | | | | |
| 10 | | | | |
| 11 | | | | |
| 12 | | | | |
| 13 | | | | |
| 14 | | | | |
| 15 | | | | |
| 16 | | | | |
| 17 | | | | |
| 18 | | | | |
| 19 | | | | |
| 20 | | | | |
| 21 | | | | |
| 22 | | | | |
| 23 | | | | |
| 24 | | | | |

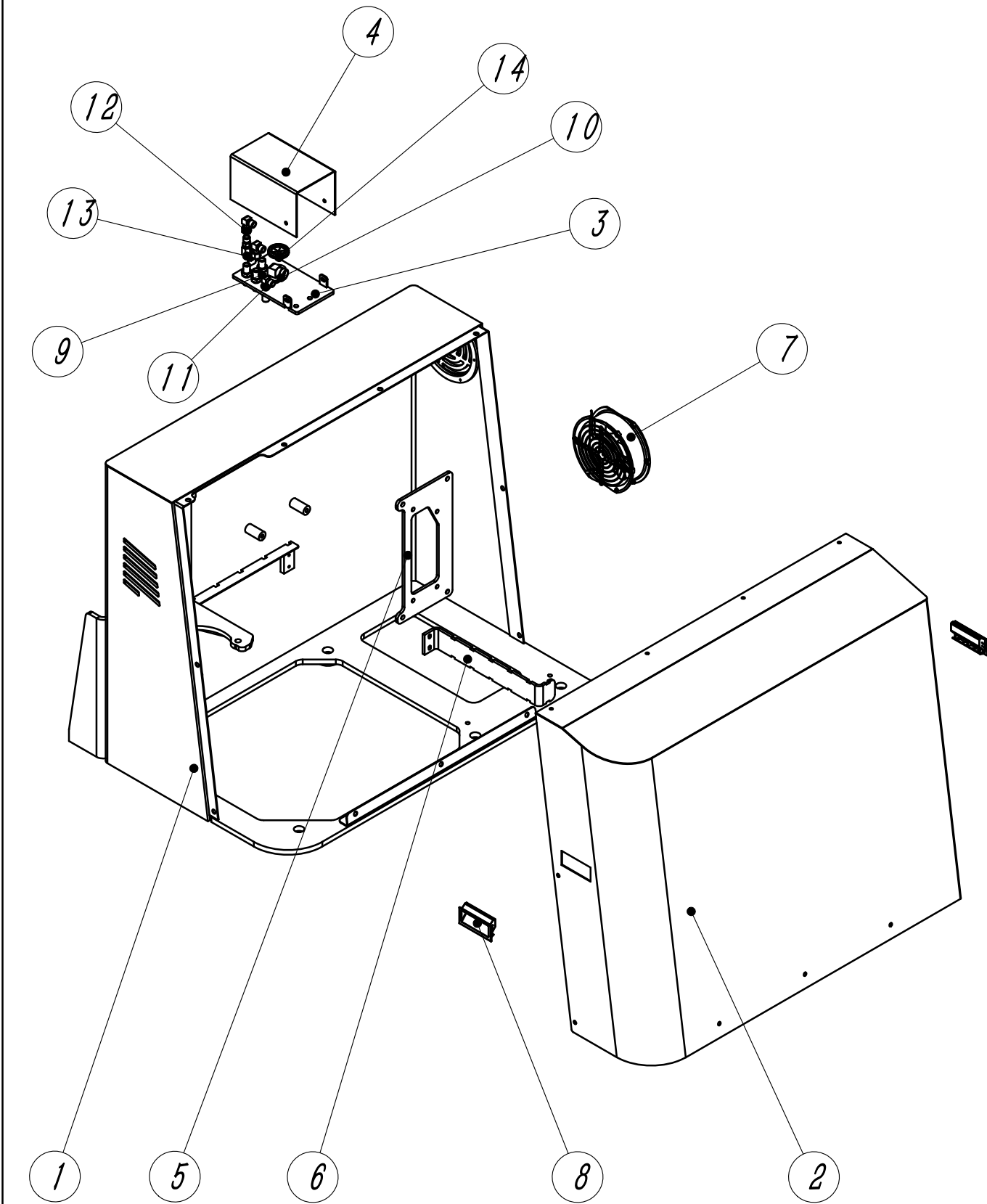
Fig. 1-5 MQC35.1.5 Swing shaft assembly

Suitable for MQC40 model



| No. | Code | Name | Qty | Remark |
|-----|-----------------|-------------------------------------------|-----|--------|
| 1 | MQC35.1.5.1 | Swing shaft welded | 1 | |
| 2 | MQB30.1.5.2F101 | Stop plate | 1 | |
| 3 | MQB30.1.24 | Adjusting shim | 2 | |
| 4 | JB7940.1 M10×1 | Straight through pressure oil filling cup | 2 | |
| 5 | | | | |
| 6 | | | | |
| 7 | | | | |
| 8 | | | | |
| 9 | | | | |
| 10 | | | | |
| 11 | | | | |
| 12 | | | | |
| 13 | | | | |
| 14 | | | | |
| 15 | | | | |
| 16 | | | | |
| 17 | | | | |
| 18 | | | | |
| 19 | | | | |
| 20 | | | | |
| 21 | | | | |
| 22 | | | | |
| 23 | | | | |
| 24 | | | | |

Fig. 1-6 MQC35.1.6 Right box assembly

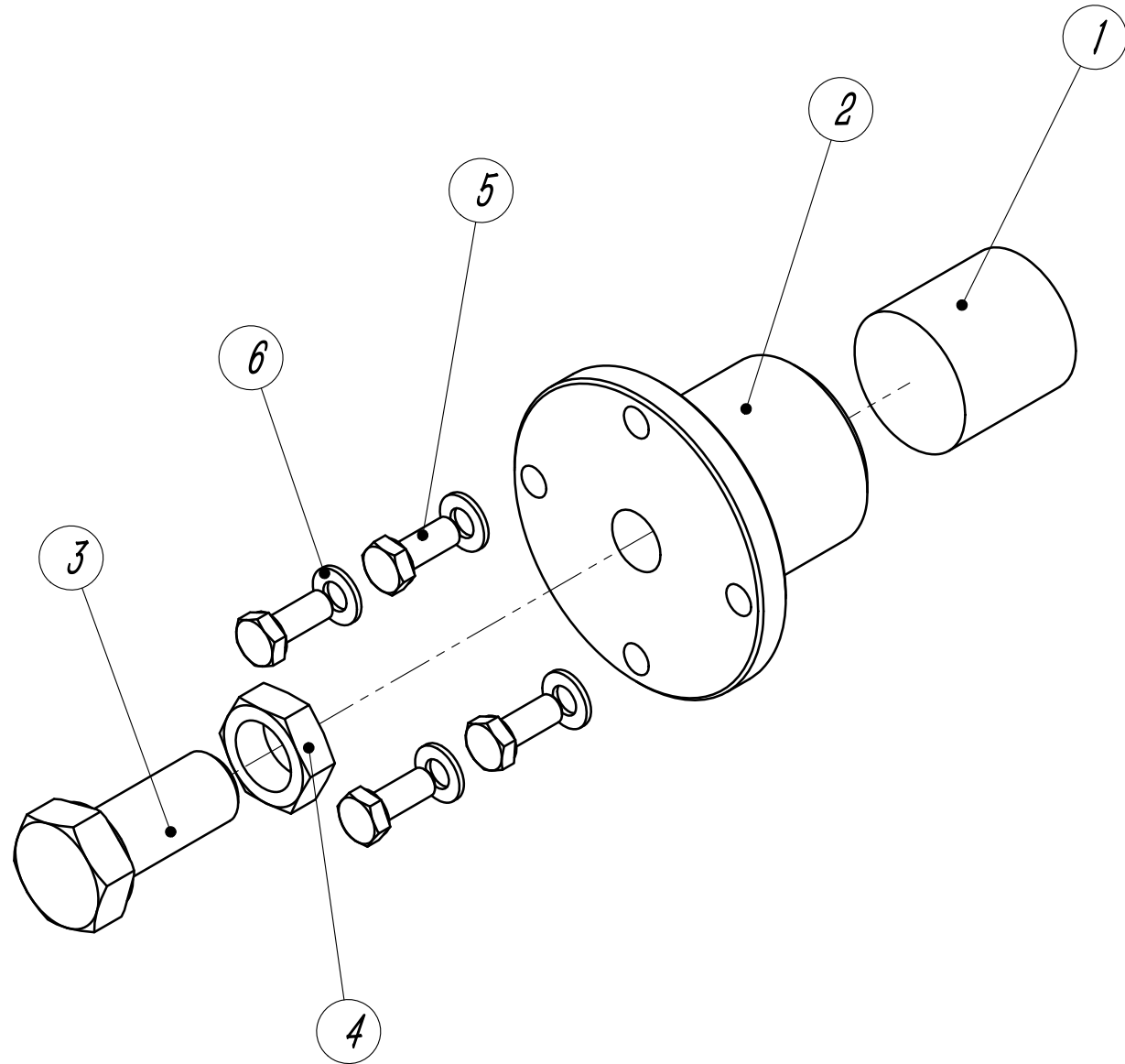


Suitable for MQC40 model

| No. | Code | Name | Qty | Remark |
|-----|----------------|----------------------------------------|-----|--------|
| 1 | MQC35.1.6.1 | Right box welding | 1 | |
| 2 | MQC35.1.6.2 | Right box door welding | 1 | |
| 3 | MQC35.1.6.3 | Right box joint mounting plate welding | | |
| 4 | MQC35.1.6.4 | Right box joint cover welding | | |
| 5 | MQC35.1.6.6 | Valve mounting plate | 1 | |
| 6 | MQB30.1.14F101 | Wiring board | 1 | |
| 7 | YY17251H24B-ZC | Fan | 1 | |
| 8 | KS01 | Buckle hand | 2 | |
| 9 | 6C-14LN | Straight through plate joint | 3 | |
| 10 | S6C9-22LN | Straight through plate joint | 1 | |
| 11 | 6C9-14LN | Straight through plate joint | 1 | |
| 12 | S2C9-14W | External thread conversion 90° joint | | |
| 13 | S2C-14W | Internal and external thread adapter | | |
| 14 | HXQ-30×35M | Protective coil | 1 | |
| 15 | | | | |
| 16 | | | | |
| 17 | | | | |
| 18 | | | | |
| 19 | | | | |
| 20 | | | | |
| 21 | | | | |
| 22 | | | | |
| 23 | | | | |
| 24 | | | | |

Fig. 1-7 MQC35.1.9 Limit slider assembly

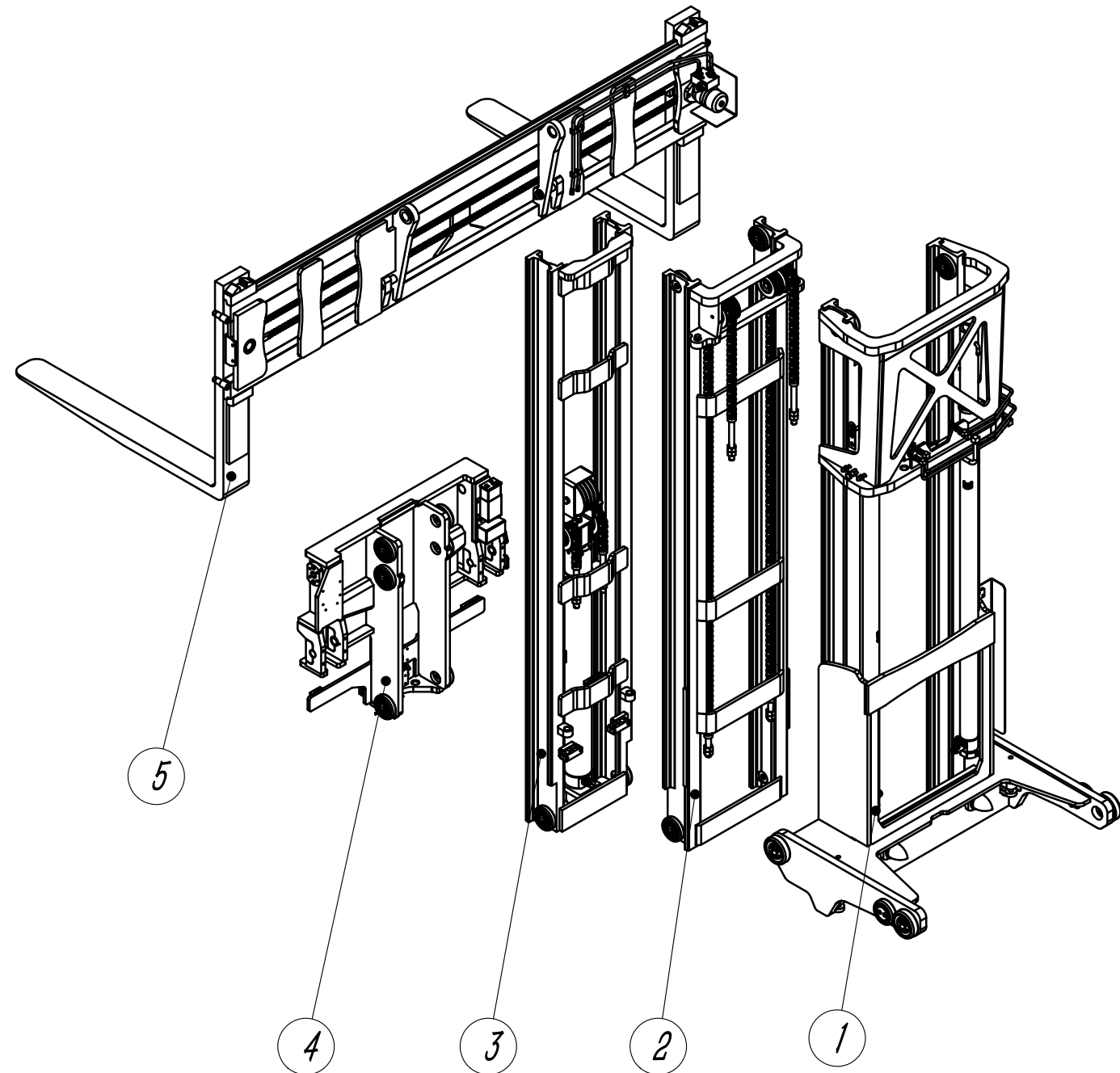
Suitable for MQC40 model



| No. | Code | Name | Qty | Remark |
|-----|---------------|-----------------------------|-----|--------|
| 1 | MQC35.1.9.1 | Nylon slider | 1 | |
| 2 | MQC35.1.9.2 | Adjust screw mounting plate | | |
| 3 | GB5783 M20×60 | Hexagon head bolts | 1 | |
| 4 | GB6172.1 M20 | Hexagon Thin Nuts | 1 | |
| 5 | GB5783 M8×20 | Hexagon head bolts | 4 | |
| 6 | GB97.1 8 | Flat Washers | 4 | |
| 7 | | | | |
| 8 | | | | |
| 9 | | | | |
| 10 | | | | |
| 11 | | | | |
| 12 | | | | |
| 13 | | | | |
| 14 | | | | |
| 15 | | | | |
| 16 | | | | |
| 17 | | | | |
| 18 | | | | |
| 19 | | | | |
| 20 | | | | |
| 21 | | | | |
| 22 | | | | |
| 23 | | | | |
| 24 | | | | |

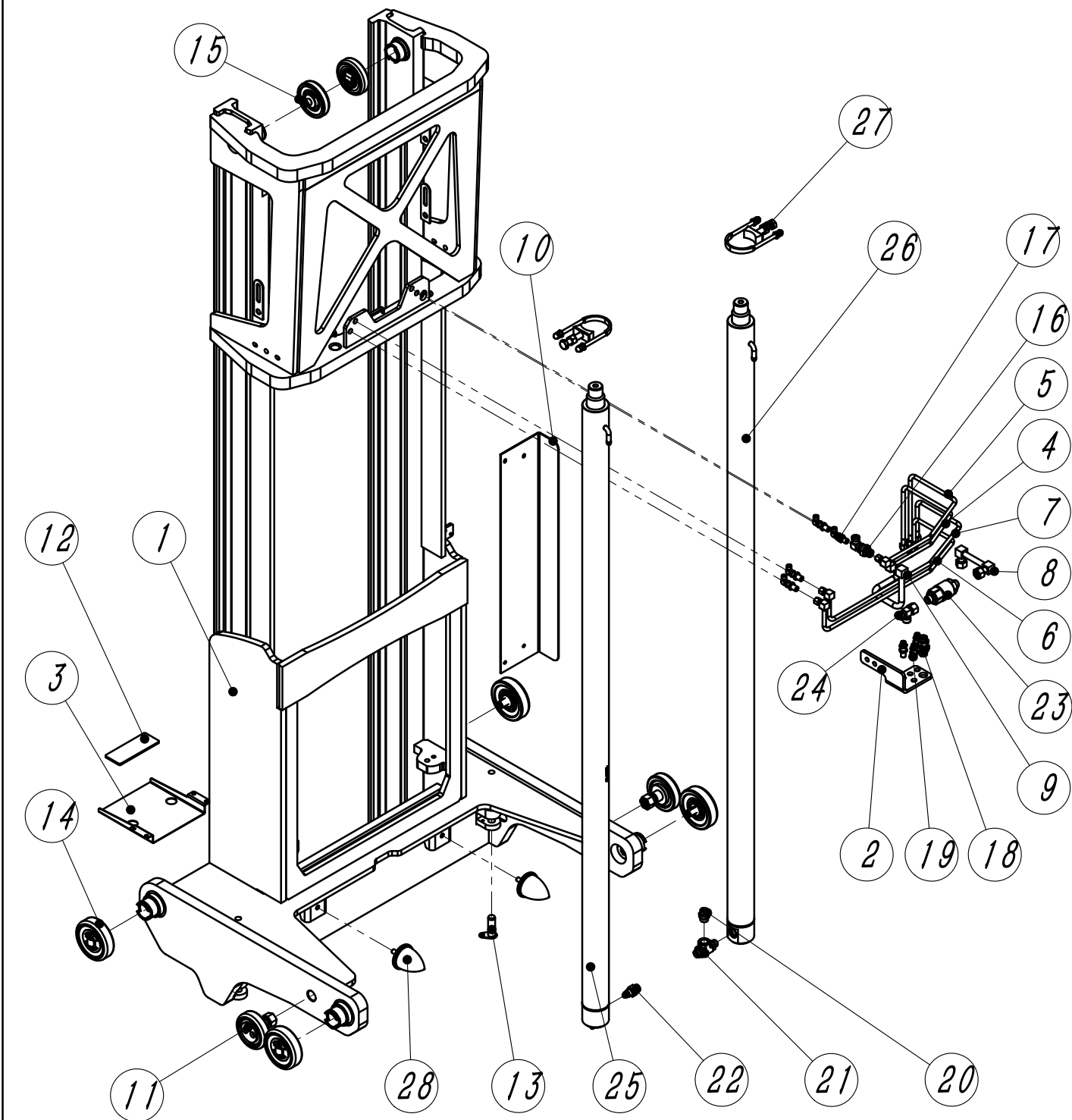
Fig. 2-1 MQC35.2SQ Lifting system

Suitable for MQC40 model



| No. | Code | Name | Qty | Remark |
|-----|----------------|-------------------------|-----|--------|
| 1 | MQC35.2.1SQ-ZP | Outer mast assembly | 1 | |
| 2 | MQC35.2.2SQ-ZP | Middle mast assembly | 1 | |
| 3 | MQC35.2.3SQ-ZP | Inner mast assembly | 1 | |
| 4 | MQC35.2.4SQ-ZP | Inner carriage assembly | 1 | |
| 5 | MQC35.2.5SQ-ZP | Fork carriage assembly | 1 | |
| 6 | | | | |
| 7 | | | | |
| 8 | | | | |
| 9 | | | | |
| 10 | | | | |
| 11 | | | | |
| 12 | | | | |
| 13 | | | | |
| 14 | | | | |
| 15 | | | | |
| 16 | | | | |
| 17 | | | | |
| 18 | | | | |
| 19 | | | | |
| 20 | | | | |
| 21 | | | | |
| 22 | | | | |
| 23 | | | | |
| 24 | | | | |

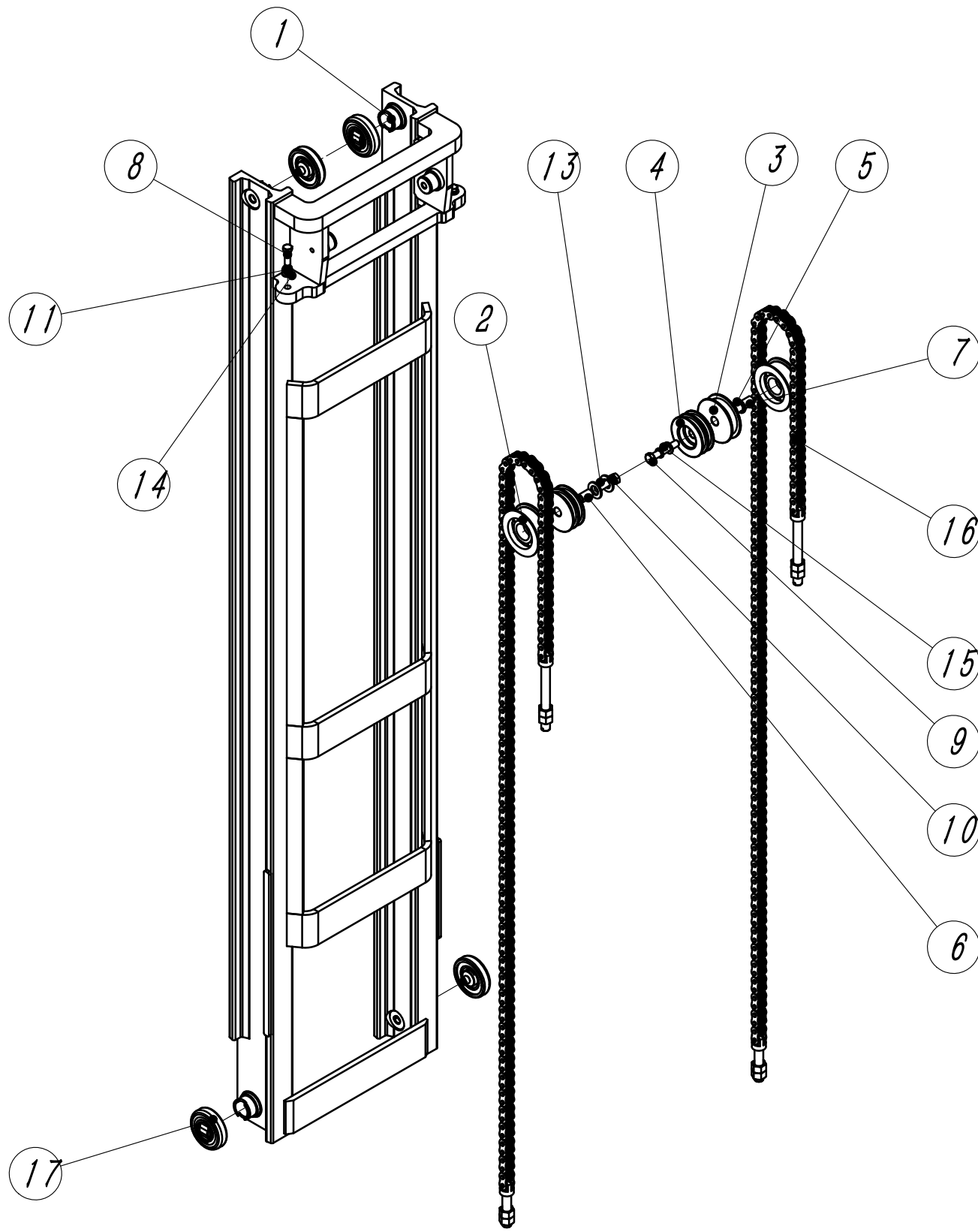
Fig. 2-2 MQC35.2.1SQ-ZP Outer mast assembly



Suitable for MQC40 model

| No. | Code | Name | Qty | Remark |
|-----|---------------------|--------------------------------------------|-----|--------|
| 1 | MQC35.2.1SQ | Outer mast welding | 1 | |
| 2 | MQC35.2.8.1SQ | Outer mast joint mounting plate | | |
| 3 | MQC35.2.8.2SQ | Bottom limit plate | 1 | |
| 4 | MQC35.3.10.1SQ | Adjustable distance steel pipe assembly I | | |
| 5 | MQC35.3.10.2SQ | Adjustable distance steel pipe assembly II | | |
| 6 | MQC35.3.10.3SQ | Inclined steel pipe assembly II | | |
| 7 | MQC35.3.10.4SQ | Inclined steel pipe assembly III | | |
| 8 | MQC35.3.10.5SQ | Lift steel pipe assembly I | 1 | |
| 9 | MQC35.3.10.6SQ | Lift steel pipe assembly II | 1 | |
| 10 | MQD30.2.1.3SQ | Tubing guard | 1 | |
| 11 | TFC25.2.1.5.1SQ-ZP | Eccentric wheel assembly | 2 | |
| 12 | MQD30.2.1.4.2SQ | Buffer rubber pad | 1 | |
| 13 | TF15.3.13 | Welding of forward cylinder pin | | |
| 14 | 760311K8T.1 | Composite roller body | 4 | |
| 15 | 760211BYT(107.80).1 | Composite roller body | 2 | |
| 16 | S6C9-22LN | Right angle through plate joint | | |
| 17 | 6C9-14LN | Right angle through plate joint | | |
| 18 | S6C-22LN | Right angle through plate joint | | |
| 19 | 6C-14LN | Right angle through plate joint | | |
| 20 | S1CH-22DQ | Straight connector | 1 | |
| 21 | SKCMH-22-22-200GDQ | Three-way pipe joint | 1 | |
| 22 | BYT-QDF-3t-01 | Shut-off valve assembly | 1 | |
| 23 | NXSF2-16-2-49L | Speed limiter valve | 1 | |
| 24 | SCC-22W | Internal thread main branch tee joint | | |
| 25 | TM5063-MF-HQ-L | Lift cylinder | 1 | |
| 26 | TM5063-MF-HQ-R | Lift cylinder | 1 | |
| 27 | UM10-80-105-30B-ZP1 | U-bolt assembly | 2 | |
| 28 | 7589VP37 | Shock absorber | 2 | |

Fig. 2-3 MQC35.2.2SQ-ZP Middle mast assembly

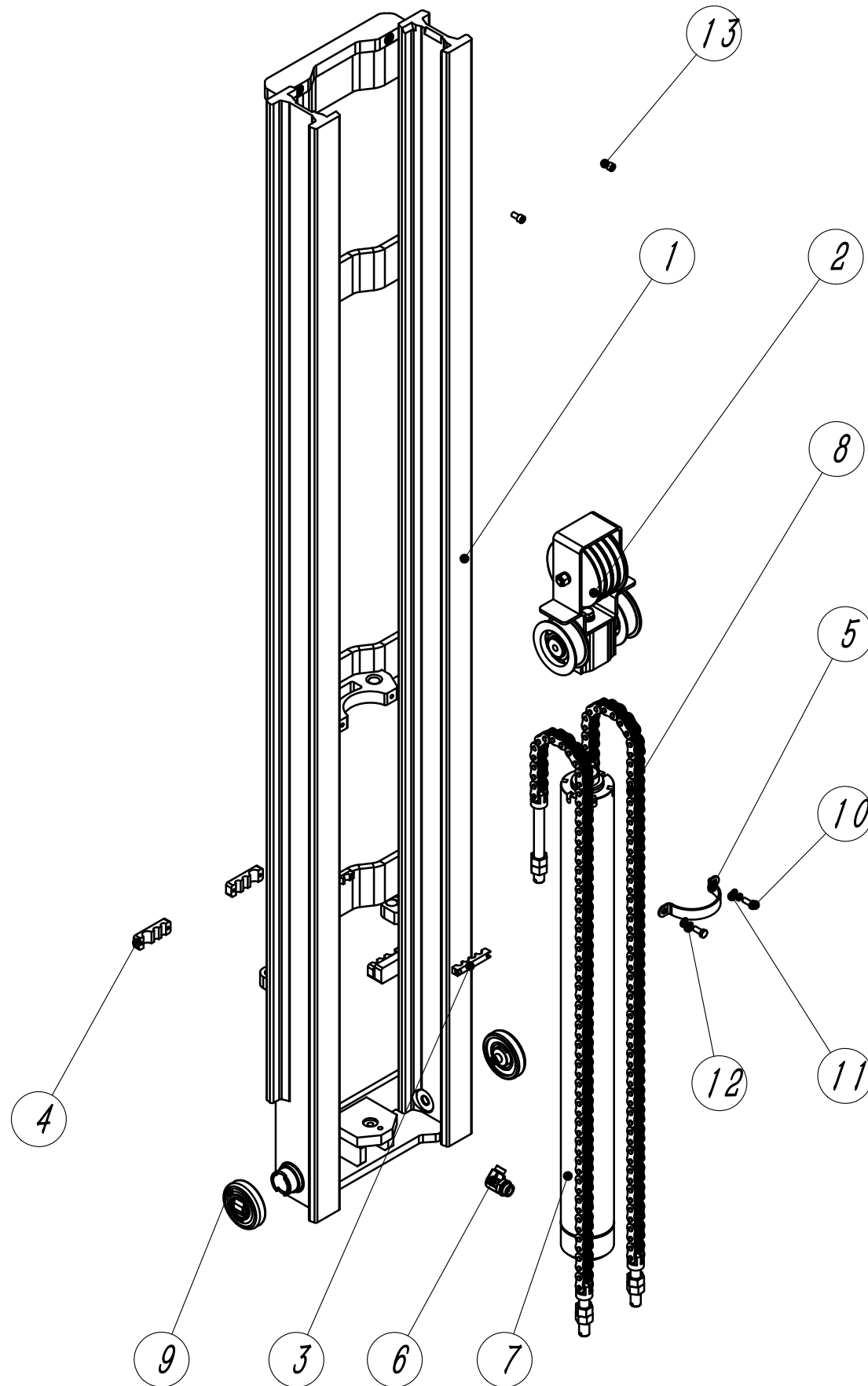


Suitable for MQC40 model

| No. | Code | Name | Qty | Remark |
|-----|---------------------|-----------------------|-----|--------|
| 1 | MQC35.2.2SQ | Middle mast welding | 1 | |
| 2 | 780309K3 | Chain wheel | 2 | |
| 3 | HL23-080-33 | Pulley | 1 | |
| 4 | HL23-85-41 | Pulley | 2 | |
| 5 | GT233405 | Spacer | 2 | |
| 6 | GT172235 | Spacer | 1 | |
| 7 | GT172260 | Spacer | 1 | |
| 8 | GB5786 M14×1.5×45 | Hexagon head bolts | 2 | |
| 9 | GB5782 M16×90 | Hexagon head bolts | 1 | |
| 10 | GB5783 M16×60 | Hexagon head bolts | 1 | |
| 11 | GB93 14 | Spring washer | 2 | |
| 12 | GB93 16 | Spring washer | 2 | |
| 13 | GB97.1 24 | Flat Washers | 2 | |
| 14 | GB97.1 14 | Flat Washers | 2 | |
| 15 | GB97.1 16 | Flat Washers | 2 | |
| 16 | LH1634-113 | Lifting chain set | 2 | |
| 17 | 760211BYT(107.80).1 | Composite roller body | 4 | |
| 18 | | | | |
| 19 | | | | |
| 20 | | | | |
| 21 | | | | |
| 22 | | | | |
| 23 | | | | |
| 24 | | | | |

Fig. 2-4 MQC35.2.3SQ-ZP Inner mast assembly

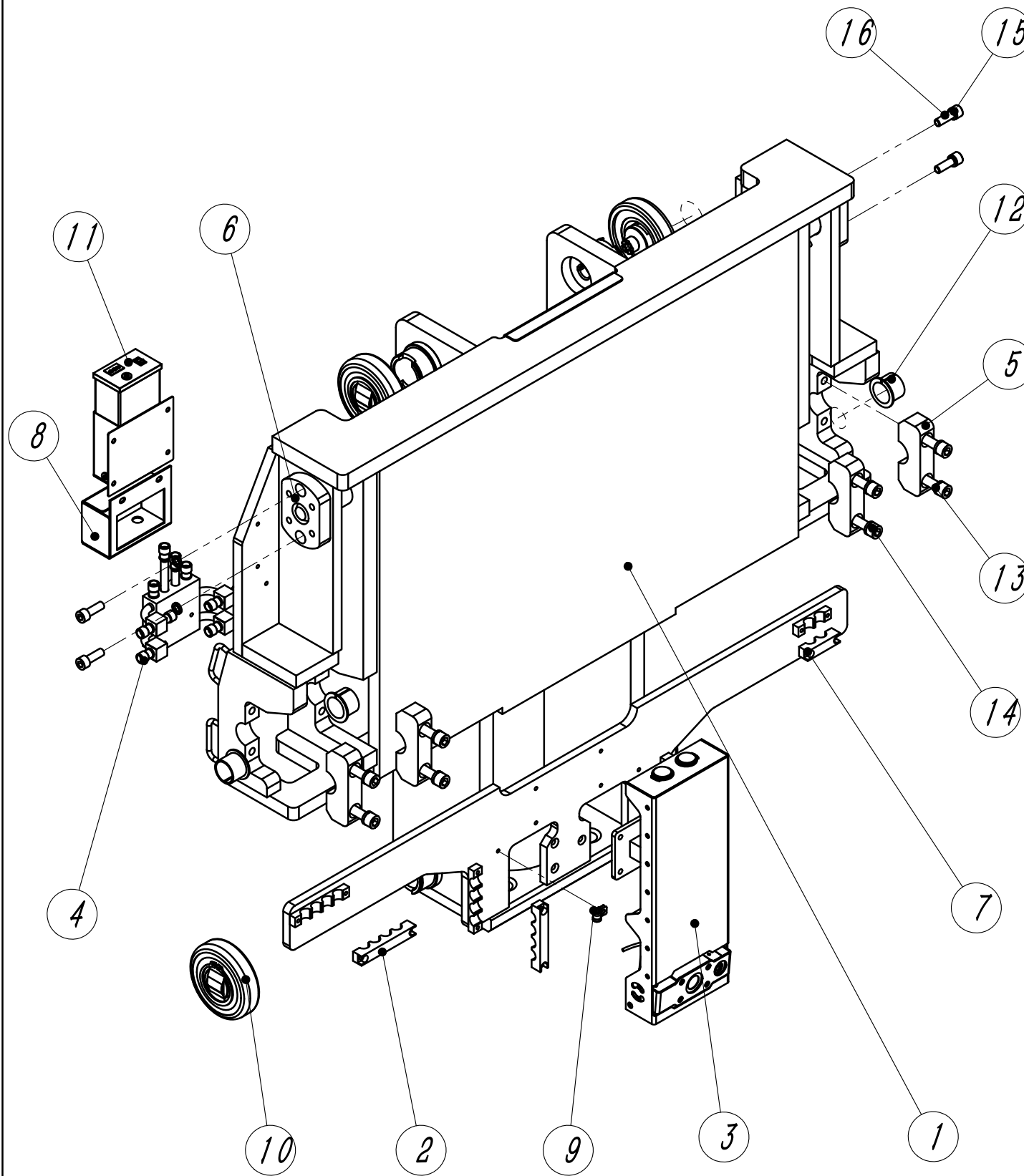
Suitable for MQC40 model



| No. | Code | Name | Qty | Remark |
|-----|----------------------|----------------------------------------|-----|--------|
| 1 | MQC35.2.3SQ | Inner mast welding | 1 | |
| 2 | MQC35.2.8.3SQ | Rubber wheel cage assembly | 1 | |
| 3 | MQC35.2.8.4SQ | Quadruple pipe clamp fixed cover plate | 1 | |
| 4 | MFZ20.2.1.2SQ | Left tubing clamp mounting cover plate | 2 | |
| 5 | MK35.2.7Q | The forward cylinder clamp | 1 | |
| 6 | S1CG9-22-12OG (AH13) | Right Angle fittings | 1 | |
| 7 | TM70100-MF | Lifting cylinder | 1 | |
| 8 | LH1634-65 | Lifting chain group | 2 | |
| 9 | 760211BYT(107.80).1 | Composite roller body | 2 | |
| 10 | GB5783 M10x25 | Hexagon head bolts | 2 | |
| 11 | GB97.1 10 | Flat washer | 4 | |
| 12 | GB93 10 | Spring washer | 4 | |
| 13 | GB70.1 M10*20 | Hexagon socket head screws | 2 | |
| 14 | | | | |
| 15 | | | | |
| 16 | | | | |
| 17 | | | | |
| 18 | | | | |
| 19 | | | | |
| 20 | | | | |
| 21 | | | | |
| 22 | | | | |
| 23 | | | | |
| 24 | | | | |

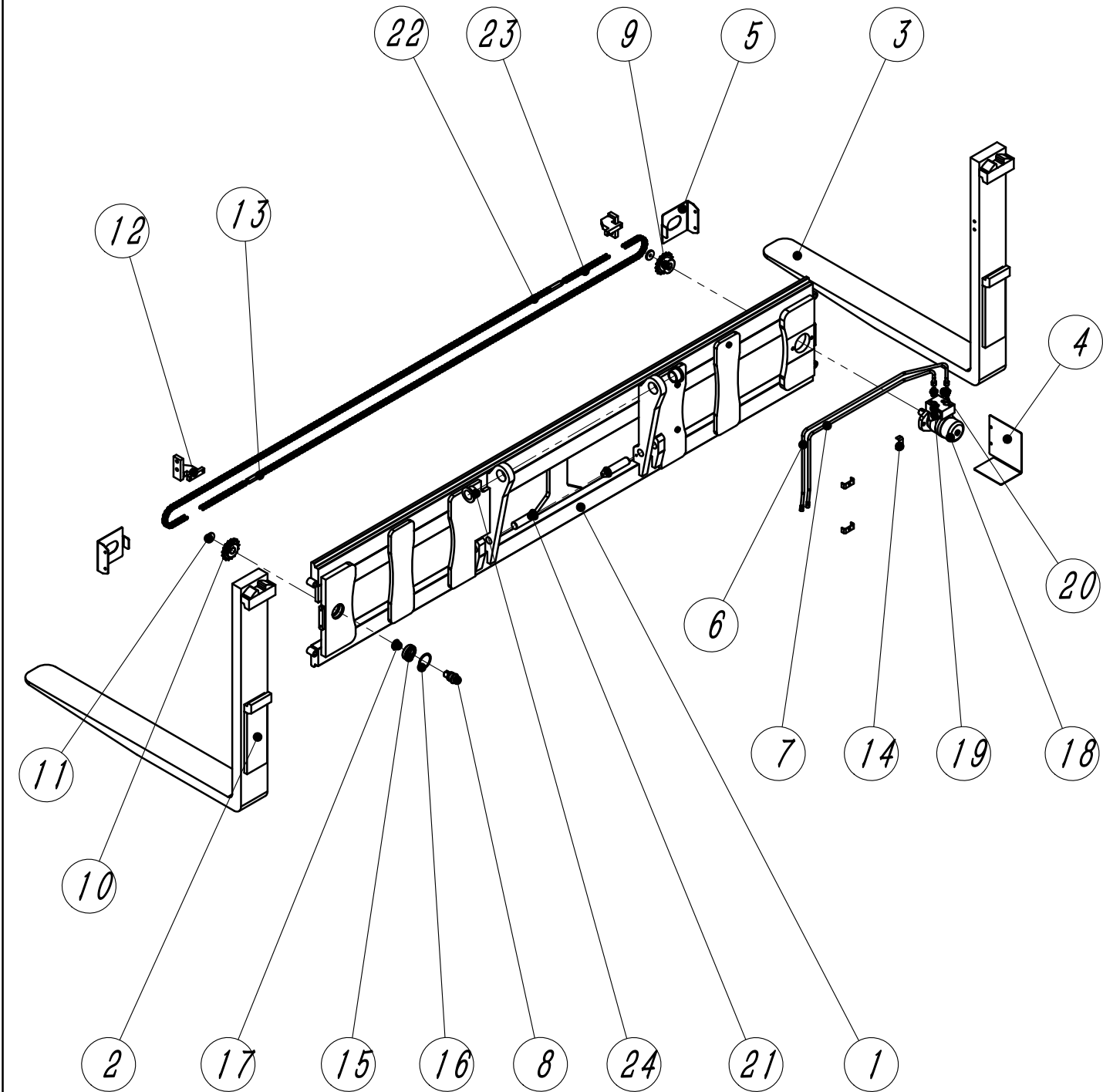
Fig. 2-5 MQC35.2.4SQ-ZP Inner slide carriage assembly

Suitable for MQC40 model



| No. | Code | Name | Qty | Remark |
|-----|---------------------|-----------------------------------------------|-----|--------|
| 1 | MQC35.2.4SQ | Inner slide frame welding | 1 | |
| 2 | MQC35.2.8.4SQ | Quadruple pipe clamp fixed cover plate | 2 | |
| 3 | MQC35.2.8.5SQ | Camera installation component | 1 | |
| 4 | MQC35.3.10.7SQ | Slide frame integrated steel pipe | 1 | |
| 5 | MQD30.2.4.3SQ | Inclined cylinder head plate | 4 | |
| 6 | MQD30.2.4.4SQ | Connection shaft welding | 2 | |
| 7 | TF15.2.18SQ | Front cylinder tubing clamp fixed cover plate | 2 | |
| 8 | MQZ25.2.3.4.2SQ | Camera cable box on the right | 1 | |
| 9 | RSC1-6 | The line clamp | 1 | |
| 10 | 760211BYT(107.80).1 | Composite roller body | 6 | |
| 11 | DF-DC-1280A | Lithium battery | 1 | |
| 12 | HZF303426 | Sliding bearing | 4 | |
| 13 | GB93 12 | Spring washer | 8 | |
| 14 | GB70.1M12 x65 | Hexagon socket head screws | 8 | |
| 15 | GB93 10 | Spring washer | 4 | |
| 16 | GB70.1M10 x30 | Hexagon socket head screws | 4 | |
| 17 | | | | |
| 18 | | | | |
| 19 | | | | |
| 20 | | | | |
| 21 | | | | |
| 22 | | | | |
| 23 | | | | |
| 24 | | | | |

Fig. 2-6 MQC35.2.5SQ-ZP Fork carriage assembly

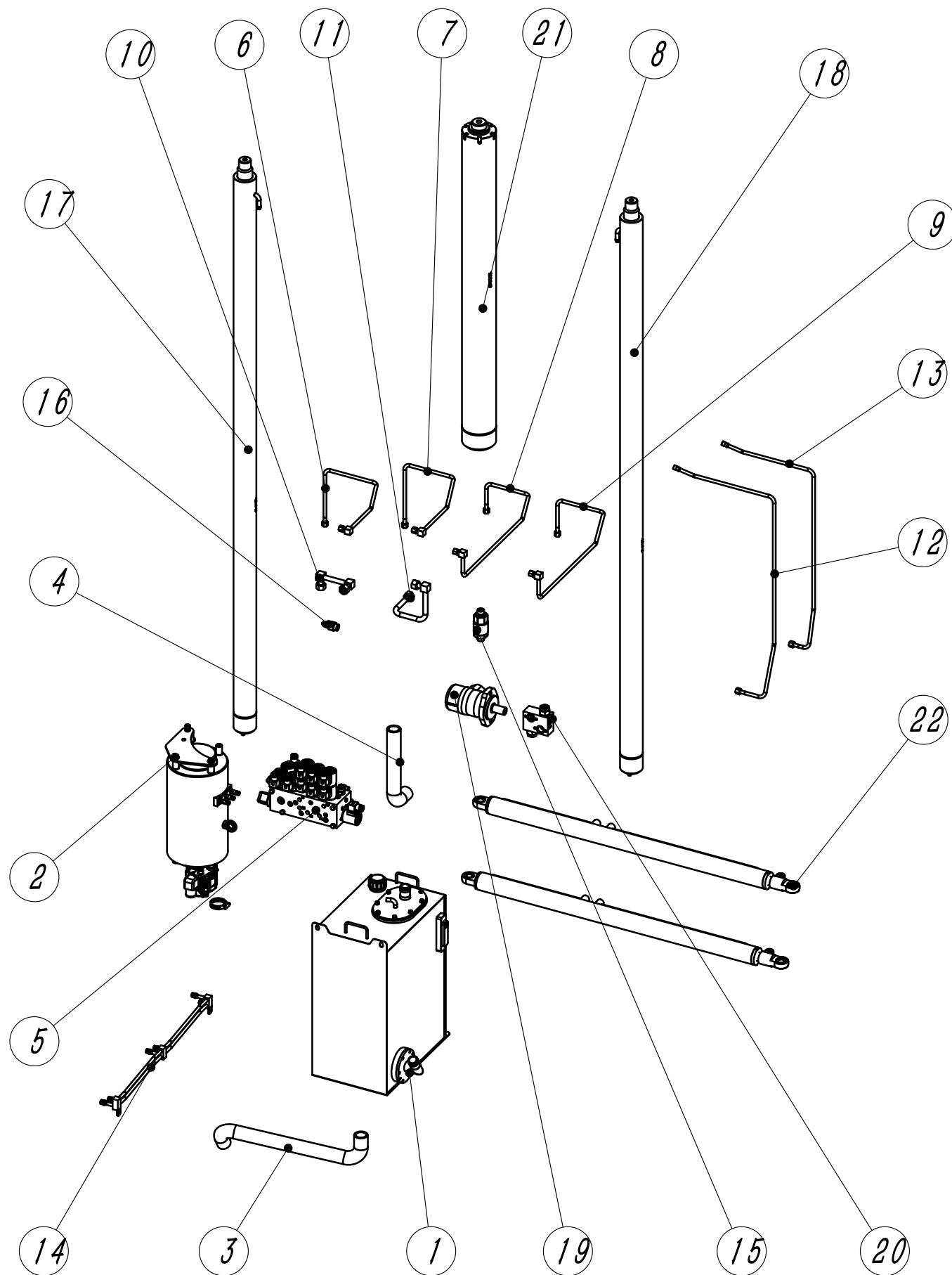


Suitable for MQC40 model

| No. | Code | Name | Qty | Remark |
|-----|-----------------|---------------------------------------|-----|--------|
| 1 | MQC35.2.5SQ | Fork carriage welding | 1 | |
| 2 | MQC35.2.5.4-L | Left side fork | 1 | |
| 3 | MQC35.2.5.5-L | Right side fork | 1 | |
| 4 | MQD30.2.5.2.1SQ | The cover of hydraulic motor | 1 | |
| 5 | MQD30.2.5.3.1SQ | Backplate of hydraulic motor | 2 | |
| 6 | MQC35.3.10.8SQ | Steel tube assembly III of positioner | 1 | |
| 7 | MQC35.3.10.9SQ | Steel tube assembly VI of positioner | 1 | |
| 8 | TFC25.2.5.4 | Sprocket shaft | 1 | |
| 9 | MFD30.2.5.2 | Chain wheel of positioner I | 1 | |
| 10 | TFC25.2.5.6 | Chain wheel of positioner II | 1 | |
| 11 | TFC25.2.5.7 | Retaining ring | 2 | |
| 12 | TFC25.2.5.11 | Chain plate welding | 2 | |
| 13 | TFC35.2.23 | Tension mechanism | 2 | |
| 14 | MF13.1.22 | Forward tubing clamp | 3 | |
| 15 | GB276 6007-2Z | Deep groove ball bearings | 1 | |
| 16 | GB893.1 | Elastic retainer for 62 holes | 1 | |
| 17 | GB894.1 35 | Elastic retainer for shaft | 1 | |
| 18 | BMP-200-2-A-D | Brake motor | 1 | |
| 19 | FYRHD-10-D | 2-way overflow valve | 1 | |
| 20 | SLCG-14-08DQ | Straight through pipe connector | 2 | |
| 21 | XZ30-085-LW | Ear plate pin shaft | 2 | |
| 22 | 10A-147 | Transmission chain group | 2 | |
| 23 | 10A-15 | Transmission chain group | 2 | |
| 24 | HZF405035 | Slide bearing | 2 | |

Fig. 3-1 MQC35.3SQ Hydraulic system

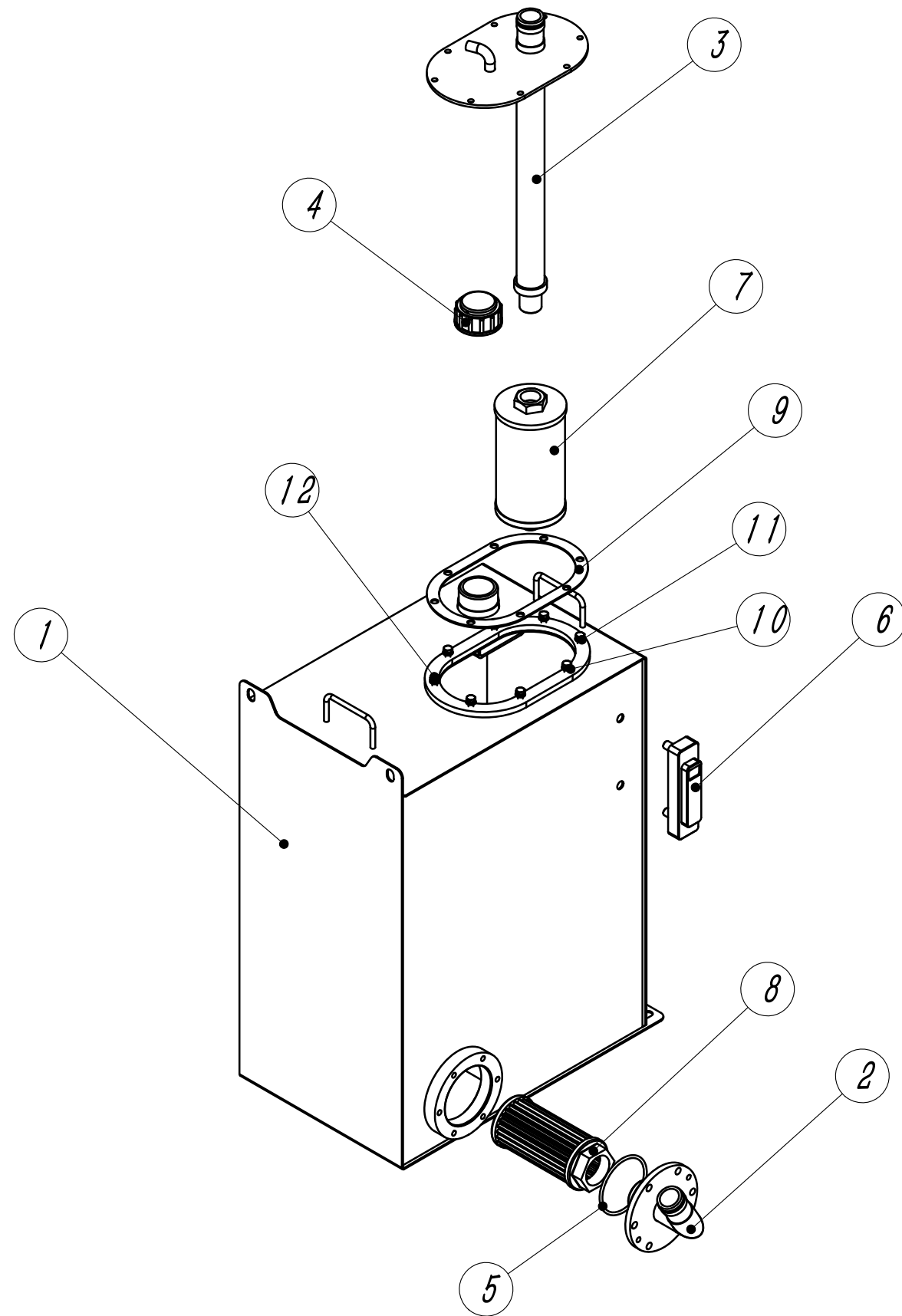
Suitable for MQC40 model



| No. | Code | Name | Qty | Remark |
|-----|-----------------|--------------------------------------------|-----|--------|
| 1 | MQC35.3.1 | Hydraulic tank assembly | 1 | |
| 2 | MQC35.3.2 | Oil pump motor assembly | 1 | |
| 3 | MQC35.3.3 | Oil suction hose | 1 | |
| 4 | MQC35.3.4 | Oil return hose | 1 | |
| 5 | MQC30.3.5 | Lift solenoid valve assembly | 1 | |
| 6 | MQC35.3.10.1SQ | Steel tube assembly I of positioner | 1 | |
| 7 | MQC35.3.10.2SQ | Steel tube assembly II of positioner | 1 | |
| 8 | MQC35.3.10.3SQ | Steel tube assembly I of tilting cylinder | 1 | |
| 9 | MQC35.3.10.4SQ | Steel tube assembly II of tilting cylinder | 1 | |
| 10 | MQC35.3.10.5SQ | Steel tube assembly I of lifting cylinder | 1 | |
| 11 | MQC35.3.10.6SQ | Steel tube assembly II of lifting cylinder | 1 | |
| 12 | MQC35.3.10.8SQ | Steel tube assembly III of positioner | 1 | |
| 13 | MQC35.3.10.9SQ | Steel tube assembly IV of positioner | 1 | |
| 14 | MQC35.3.10.10SQ | Forward cylinder welding | 1 | |
| 15 | NXSF2-16-2-49 L | The speed limit valve | 1 | |
| 16 | BYT-QDF-3T-01 | Shutoff valve assembly | 1 | |
| 17 | TM5063-MF-HQ-L | Lifting cylinder L | 1 | |
| 18 | TM5063-MF-HQ-R | Lifting cylinder R | 1 | |
| 19 | BMP-200-2-A-D | Brake motor | 1 | |
| 20 | FYRHD-10-D | 2-Way overflow valve | 1 | |
| 21 | TM70100-MF | Lifting cylinder | 1 | |
| 22 | QY3050-MQC952 | Forward cylinder | 2 | |
| 23 | | | | |
| 24 | | | | |

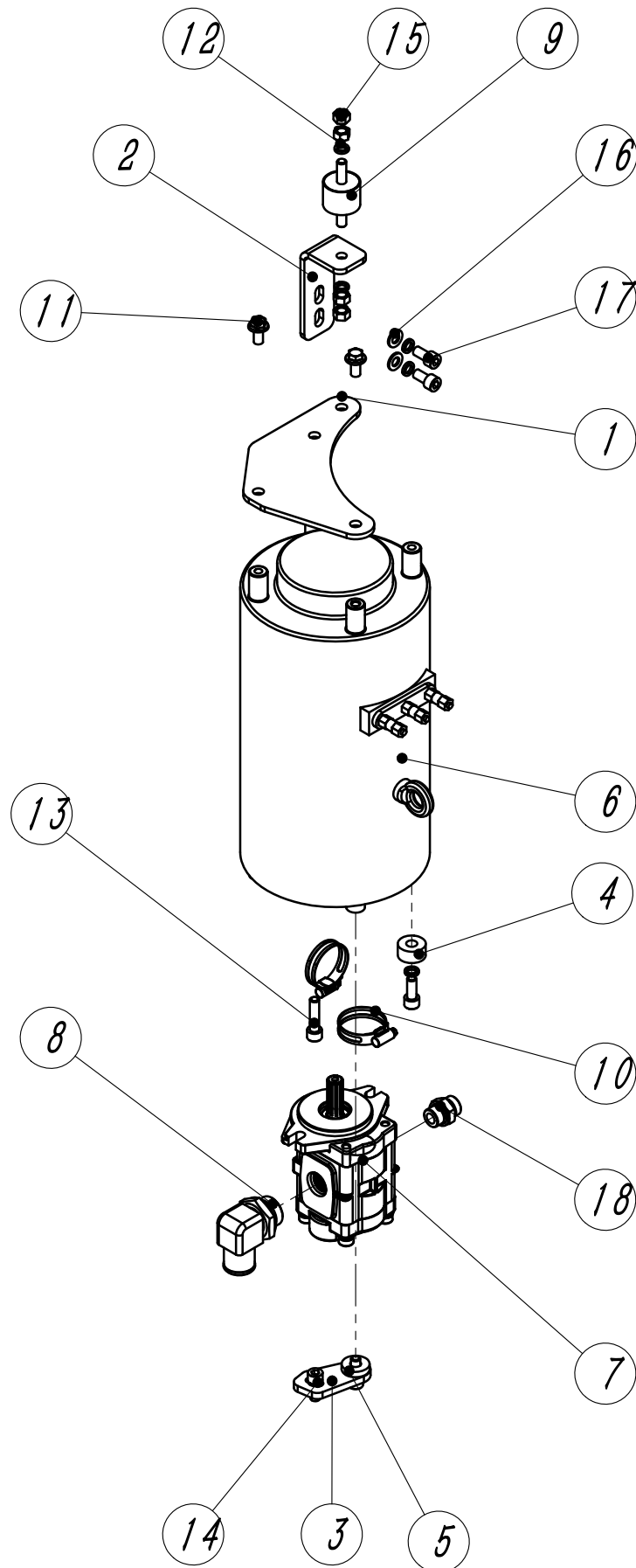
Fig. 3-2 MQC35.3.1 Hydraulic tank assembly

Suitable for MQC40 model



| No. | Code | Name | Qty | Remark |
|-----|------------------|------------------------------|-----|--------|
| 1 | MQC35.3.1.1 | Welding of hydraulic tank | 1 | |
| 2 | MFZ25.3.1.2 | Oil suction flange welding | 1 | |
| 3 | MQC35.3.1.3 | Return oil flange welding | 1 | |
| 4 | TF15.3.5 | Fuel tank cap | 1 | |
| 5 | GB3452.1 73x3.55 | O-shaped rubber sealing ring | 1 | |
| 6 | YWZ-100T | Liquid level indicator | 1 | |
| 7 | Y0816A | Scavenge filter | 1 | |
| 8 | WU-100 x80-J | Oil absorption filter | 1 | |
| 9 | MF25.3.1.3 | Rubber mat | 1 | |
| 10 | GB97.1 6 | Flat washer | 8 | |
| 11 | GB93 6 | Spring washer | 8 | |
| 12 | GB5783 M6x16 | Hexagon head bolts | 8 | |
| 13 | | | | |
| 14 | | | | |
| 15 | | | | |
| 16 | | | | |
| 17 | | | | |
| 18 | | | | |
| 19 | | | | |
| 20 | | | | |
| 21 | | | | |
| 22 | | | | |
| 23 | | | | |
| 24 | | | | |

Fig.3-3 MQC35.3.2 Pump motor assembly

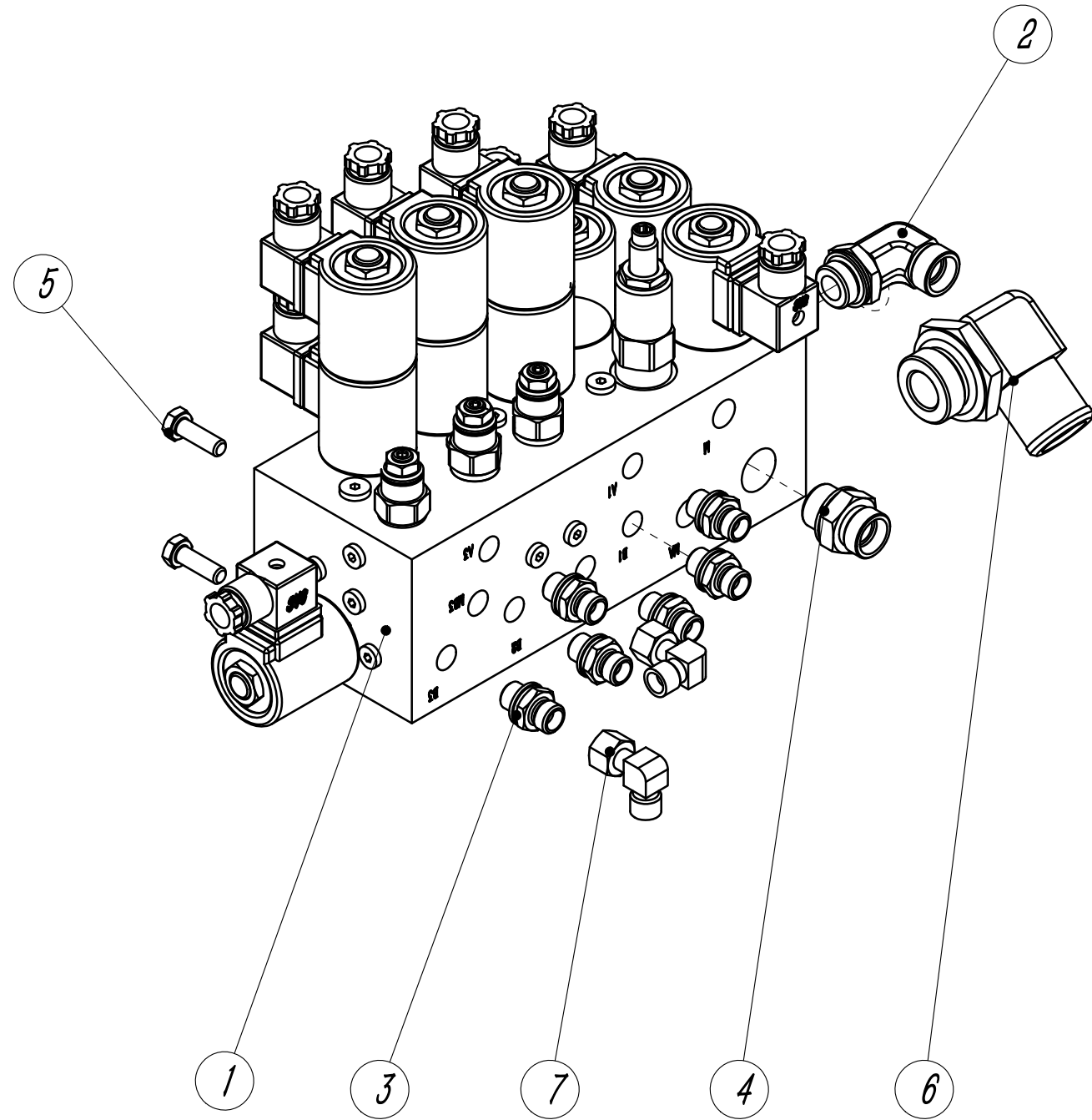


Suitable for MQC40 model

| No. | Code | Name | Qty. | Remark |
|-----|--------------------|------------------------------------------------------|------|--------|
| 1 | MQC35.3.2.1 | Pump motor fixed plate | 1 | |
| 2 | MFZ20.3.2.3SQH | Bracket | 1 | |
| 3 | TFZ16.3.2.4 | Connecting plate | 1 | |
| 4 | TFZ16.3.2.5 | Rubber mat | 2 | |
| 5 | TFZ16.3.2.6 | Rubber mat | 1 | |
| 6 | XQJ15-BYT5 | Lifting motor | 1 | |
| 7 | DSG05C20F9H1-R237C | Gear pump | 1 | |
| 8 | GJT209L | Right Angle pipe joint | 1 | |
| 9 | XJJZQ10274030 | Robber absorber | 1 | |
| 10 | Q67245 | Double wire hoop | 2 | |
| 11 | GB5789 M10×20 | Hexflange bolts | 2 | |
| 12 | GB93 10 | Spring washer | 8 | |
| 13 | GB70.1 M10×40 | Internal hexagon-cylindrical head screw ¹ | | |
| 14 | GB70.1 M10×25 | Internal hexagon-cylindrical head screw ³ | | |
| 15 | GB6171 M10×1 | Type 1 hexagon nut | 4 | |
| 16 | GB97.1 10 | Flat washer | 2 | |
| 17 | GB70.1 M10×20 | Internal hexagon-cylindrical head screw ² | | |
| 18 | S1CG-22-08DQ | Barrel connector | 1 | |
| 19 | | | | |
| 20 | | | | |
| 21 | | | | |
| 22 | | | | |
| 23 | | | | |
| 24 | | | | |

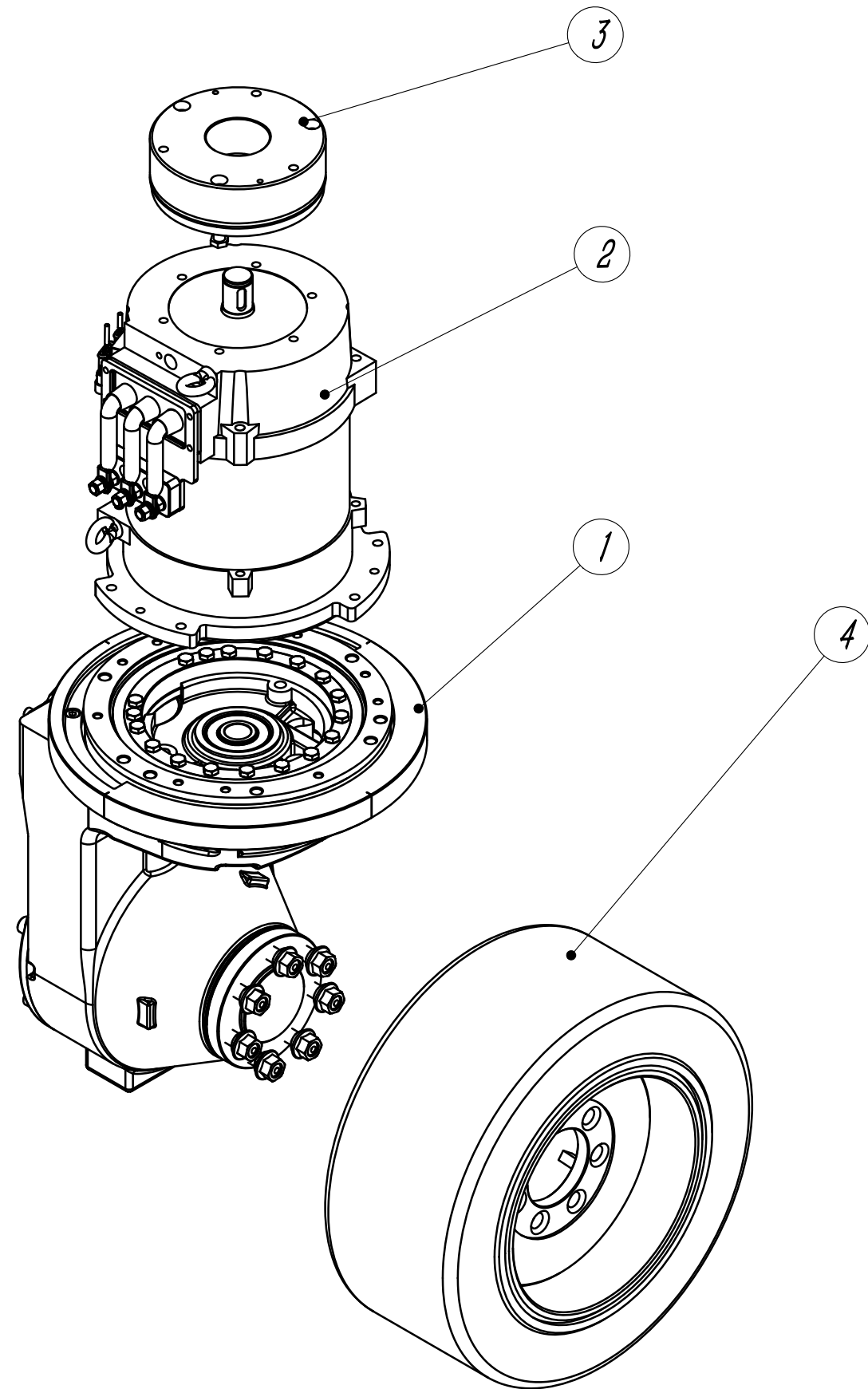
Fig.3-4 MQC30.3.5 Lift solenoid valve assembly

Suitable for MQC40 model



| No. | Code | Name | Qty. | Remark |
|-----|-----------------|---------------------------------------------------------|------|--------|
| 1 | MQD30.3.7.1 | Lift solenoid valve group | 1 | |
| 2 | S1CG9-22-080GDQ | Right Angle pipe joint | 1 | |
| 3 | S1CG-14-04 | Barrel connector | 6 | |
| 4 | S1CG-22-08DQ | Barrel connector | 1 | |
| 5 | GB5783 M8×25 | Hexagon headed bolt | 4 | |
| 6 | GJT209L | Right Angle pipe joint | 1 | |
| 7 | S2C9-14W | Internal and external threaded conversion 90° connector | 2 | |
| 8 | | | | |
| 9 | | | | |
| 10 | | | | |
| 11 | | | | |
| 12 | | | | |
| 13 | | | | |
| 14 | | | | |
| 15 | | | | |
| 16 | | | | |
| 17 | | | | |
| 18 | | | | |
| 19 | | | | |
| 20 | | | | |
| 21 | | | | |
| 22 | | | | |
| 23 | | | | |
| 24 | | | | |

Fig.4-1 MQC35.4 Driving system

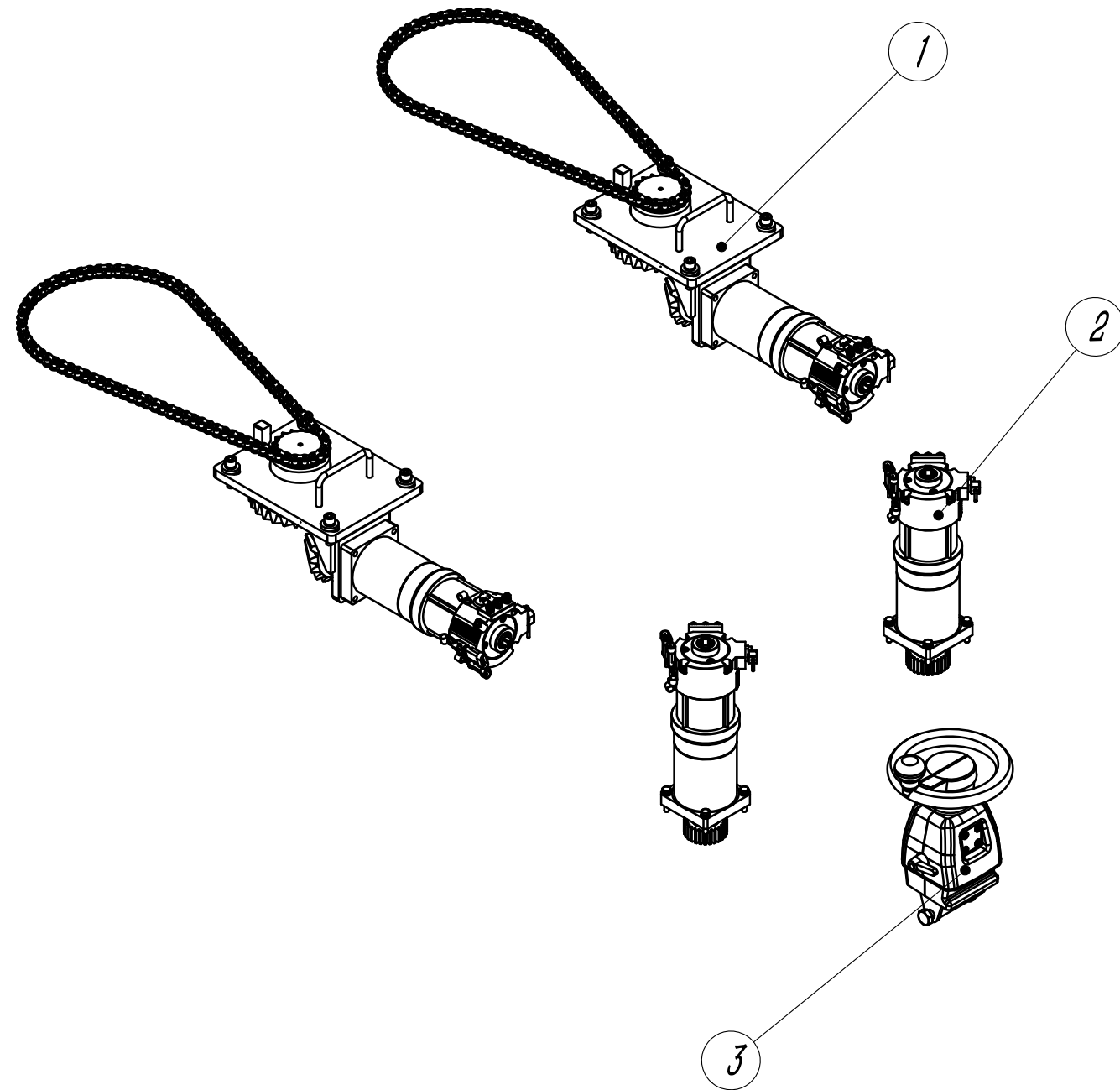


Suitable for MQC40 model

| No. | Code | Name | Qty. | Remark |
|-----|--------------------|----------------------------------|------|--------|
| 1 | BQD40003.1 | Driving assembly | 1 | |
| 2 | XQJ8-BYT2 | Driveing motor | 1 | |
| 3 | REB0514(45V28)PF-R | Magnetic brake | 1 | |
| 4 | 16×7-10.5-TR-MQC40 | Compact-type solid tire assembly | | |
| 5 | | | | |
| 6 | | | | |
| 7 | | | | |
| 8 | | | | |
| 9 | | | | |
| 10 | | | | |
| 11 | | | | |
| 12 | | | | |
| 13 | | | | |
| 14 | | | | |
| 15 | | | | |
| 16 | | | | |
| 17 | | | | |
| 18 | | | | |
| 19 | | | | |
| 20 | | | | |
| 21 | | | | |
| 22 | | | | |
| 23 | | | | |
| 24 | | | | |

Fig.5-1 MQC35.5 Steering system

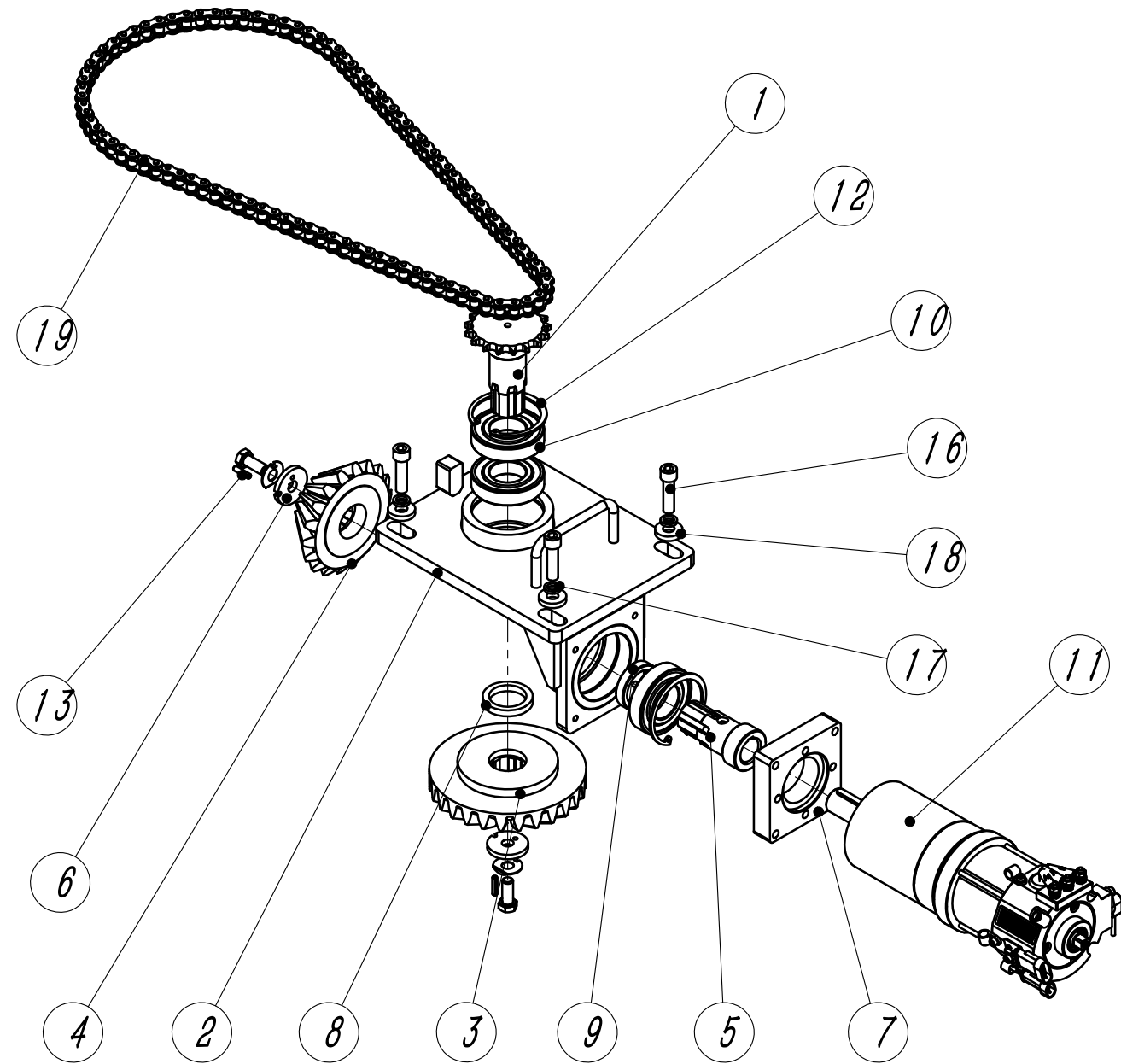
Suitable for MQC40 model



| No. | Code | Name | Qty | Remark |
|-----|-----------|-------------------------|-----|--------|
| 1 | MQC35.5.1 | Front steering assembly | 2 | |
| 2 | MFZ25.5.4 | Steering motor assembly | 2 | |
| 3 | MQC35.5.2 | Steering wheel assembly | 1 | |
| 4 | | | | |
| 5 | | | | |
| 6 | | | | |
| 7 | | | | |
| 8 | | | | |
| 9 | | | | |
| 10 | | | | |
| 11 | | | | |
| 12 | | | | |
| 13 | | | | |
| 14 | | | | |
| 15 | | | | |
| 16 | | | | |
| 17 | | | | |
| 18 | | | | |
| 19 | | | | |
| 20 | | | | |
| 21 | | | | |
| 22 | | | | |
| 23 | | | | |
| 24 | | | | |

Fig.5-2 MQC35.5.1 Front steering assembly

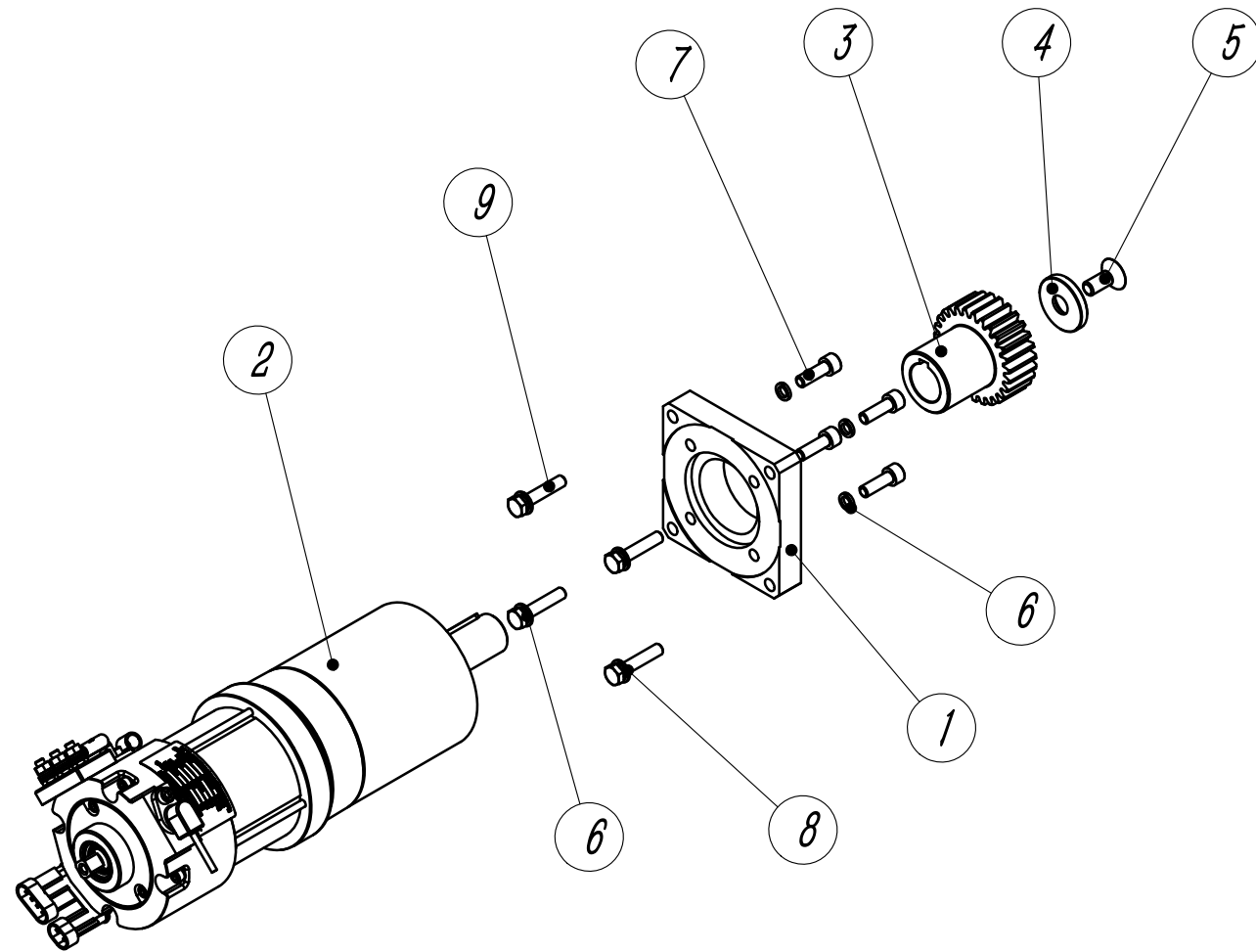
Suitable for MQC40 model



| No. | Code | Name | Qty. | Remark |
|-----|-------------------|-----------------------------------------|------|--------|
| 1 | MQC35.5.1.1 | Turn to the small chain wheel | | |
| 2 | MFQ25.1.2.2.1 | Front steering seat welding | 1 | |
| 3 | MFQ25.1.2.2.6 | Large cone gear | 1 | |
| 4 | MFQ25.1.2.2.3 | Bevel pinion | 1 | |
| 5 | MFQ25.1.2.2.5 | Steering shaft | 1 | |
| 6 | MFQ25.1.2.2.7 | Lock washer | 2 | |
| 7 | MF15.5.8.3 | Motor connection plate | 1 | |
| 8 | GT415508 | Across the set | 1 | |
| 9 | GT415512 | Across the set | 1 | |
| 10 | GB276 6208-2Z | Deep groove ball bearing | 3 | |
| 11 | YDZ0.6-4-7970 | Steering unit | 1 | |
| 12 | GB893.1 80 | Circlip for hole | 2 | |
| 13 | GB879.1 5×24 | Elastic cylindrical pin | 2 | |
| 14 | GB856 12 | Outer tongue stops the gasket | | |
| 15 | GB5786 M12×1.5×30 | Hexagon headed bolt | 2 | |
| 16 | GB70.1 M12×45 | Internal hexagon-cylindrical head screw | 4 | |
| 17 | GB93 12 | Spring washer | 4 | |
| 18 | GT133006 | Across the set | 4 | |
| 19 | 10A-100 | Steering chain | 1 | |
| 20 | | | | |
| 21 | | | | |
| 22 | | | | |
| 23 | | | | |
| 24 | | | | |

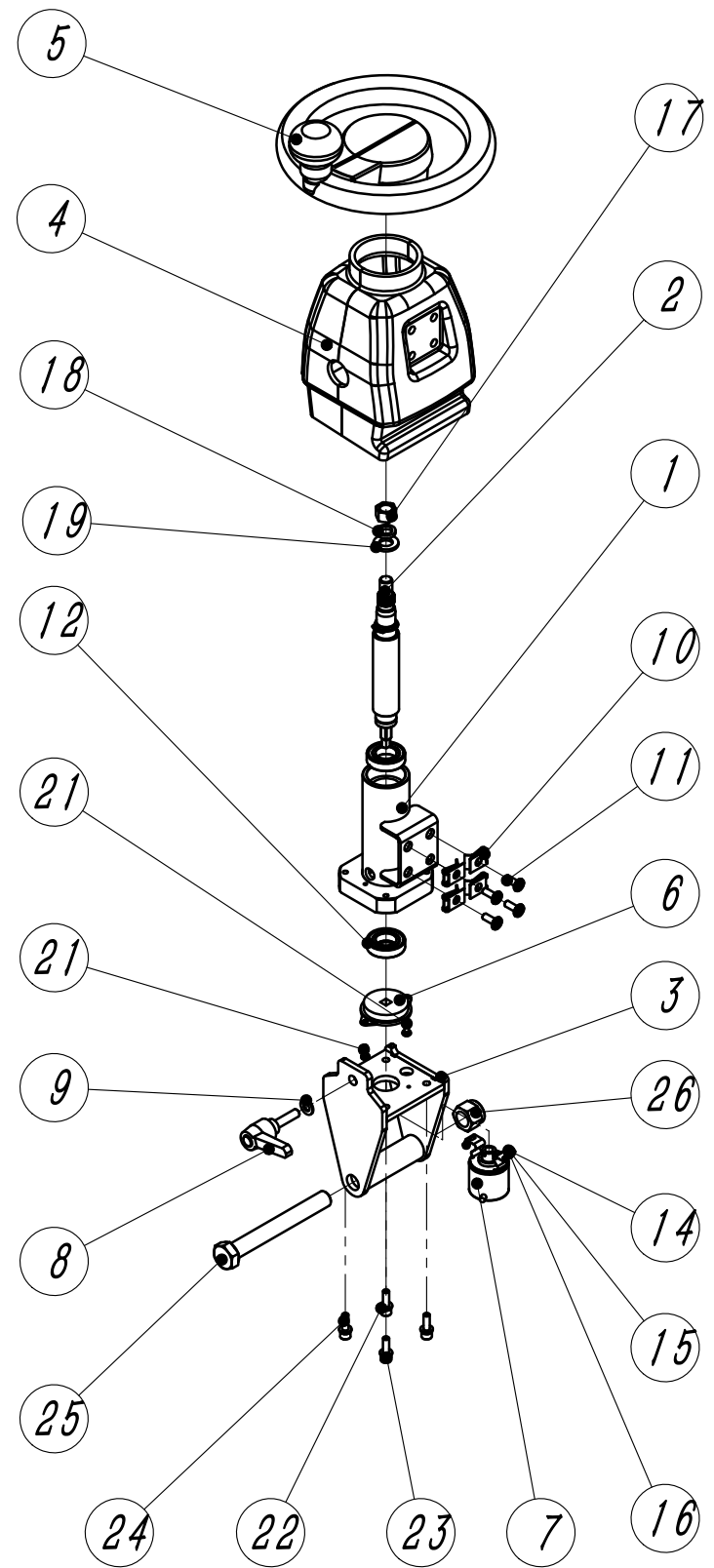
Fig.5-3 MFZ25.5.4 Steering motor assembly

Suitable for MQC40 model



| No. | Code | Name | Qty | Remark |
|-----|---------------|--------------------------------------------|-----|--------|
| 1 | MFZ20.5.4.7 | Transition plate | 1 | |
| 2 | YDZ0.6-4-7970 | Steering unit | 1 | |
| 3 | MFZ25.5.4.8 | Steering gear | 1 | |
| 4 | MFZ25.5.4.9 | Gear plate | 1 | |
| 5 | GB70.3 M10×25 | Hexalobular socket countersunk head screws | | |
| 6 | GB93 8 | Spring washer | 8 | |
| 7 | GB70.1 M8×25 | Hexagon socket cap screws | 4 | |
| 8 | GB97.1 8 | Flat washer | 4 | |
| 9 | GB5782 M8×40 | Hexagon bolt | 4 | |
| 10 | | | | |
| 11 | | | | |
| 12 | | | | |
| 13 | | | | |
| 14 | | | | |
| 15 | | | | |
| 16 | | | | |
| 17 | | | | |
| 18 | | | | |
| 19 | | | | |
| 20 | | | | |
| 21 | | | | |
| 22 | | | | |
| 23 | | | | |
| 24 | | | | |

Fig.5-4 MQC35.5.2 Steering wheel assembly

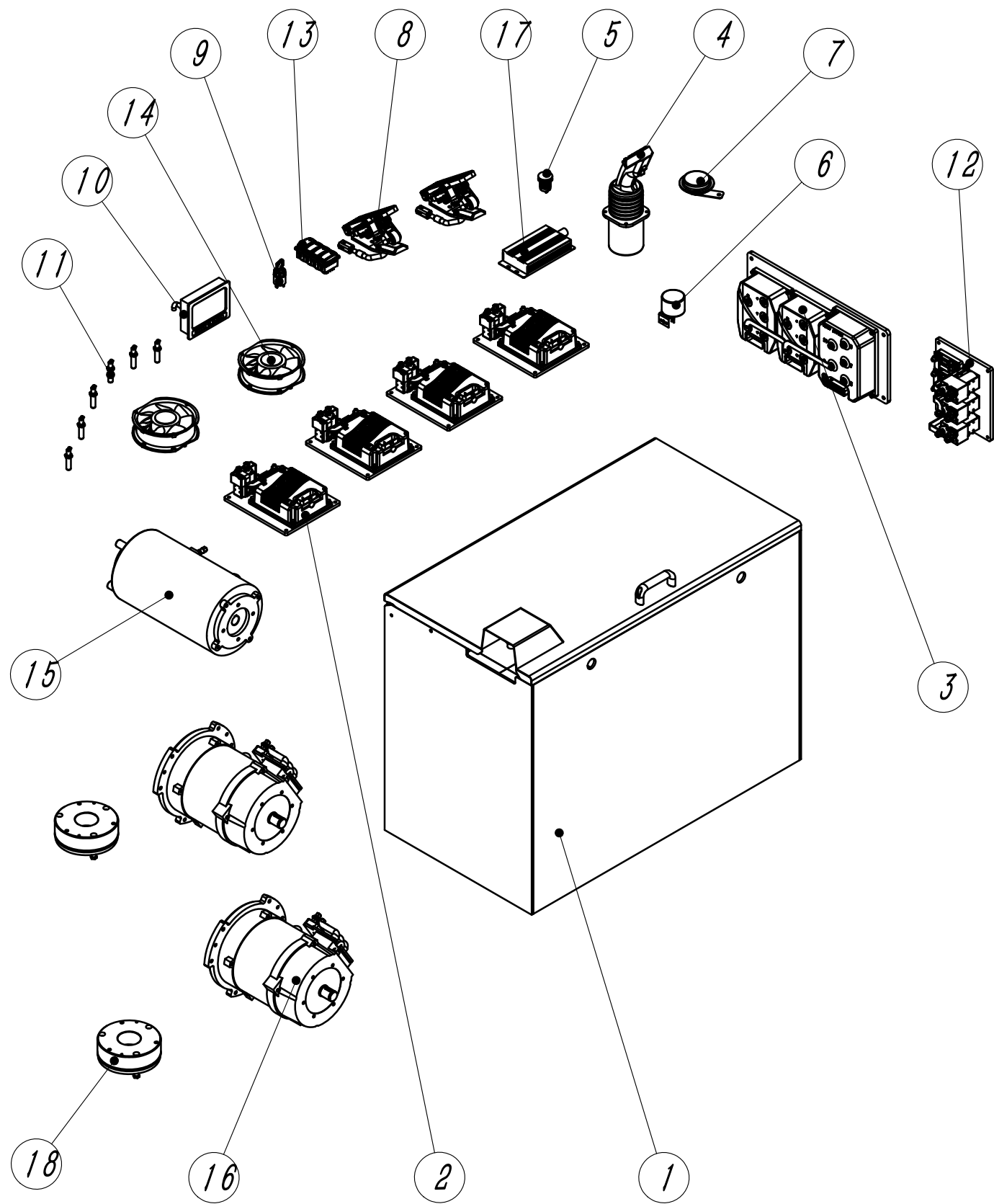


Suitable for MQC40 model

| No | Code | Name | Qty | Remark |
|----|--------------------|----------------------------------------------------|-----|--------|
| 1 | MQC35.5.2.1 | Steering column welding | 1 | |
| 2 | MQC35.5.2.2 | Steering shaft | 1 | |
| 3 | MQC35.5.2.3 | Adjusting seat weld | 1 | |
| 4 | MQC35.5.2.4 | Steering column housing assembly | | |
| 5 | T550029480 | Steering wheel | 1 | |
| 6 | YS-1005-48-F-0.2 | Damper | 1 | |
| 7 | DBS36E-BBAK01000-1 | Encoder assembly | 1 | |
| 8 | 490934 | Heavy duty adjusting handle | 1 | |
| 9 | GB97.1 8 | Flat washer | 1 | |
| 10 | LP-133 M6 | Reed nut | 4 | |
| 11 | DB-S M6×16 | Inverted hexagon socket screw | 4 | |
| 12 | GB276 61904-2Z | Deep groove ball bearing | 2 | |
| 13 | GB894.1 20 | Circlip for shaft | 2 | |
| 14 | GB97.1 3 | Flat washer | 2 | |
| 15 | GB93 3 | Spring washer | 2 | |
| 16 | GB818 M3×5 | Cross recess head screw | 2 | |
| 17 | GB6170 M12 | 1 style hex nut | 1 | |
| 18 | GB93 12 | Spring washer | 1 | |
| 19 | GB97.1 12 | Flat washer | 1 | |
| 20 | GB93 4 | Spring washer | 2 | |
| 21 | GB818 M4×12 | Cross recess head screw | 2 | |
| 22 | GB97.1 6 | Flat washer | 4 | |
| 23 | GB93 6 | Spring washer | 4 | |
| 24 | GB70.1 M6×20 | Hexagon socket cap screws | 4 | |
| 25 | GB5782 M16×130 | Hexagon bolt | 1 | |
| 26 | GB889.1 M16 | 1 style hexagon lock nuts with non-metallic insert | | |

Fig.6-1 MQC35.7 Electric system

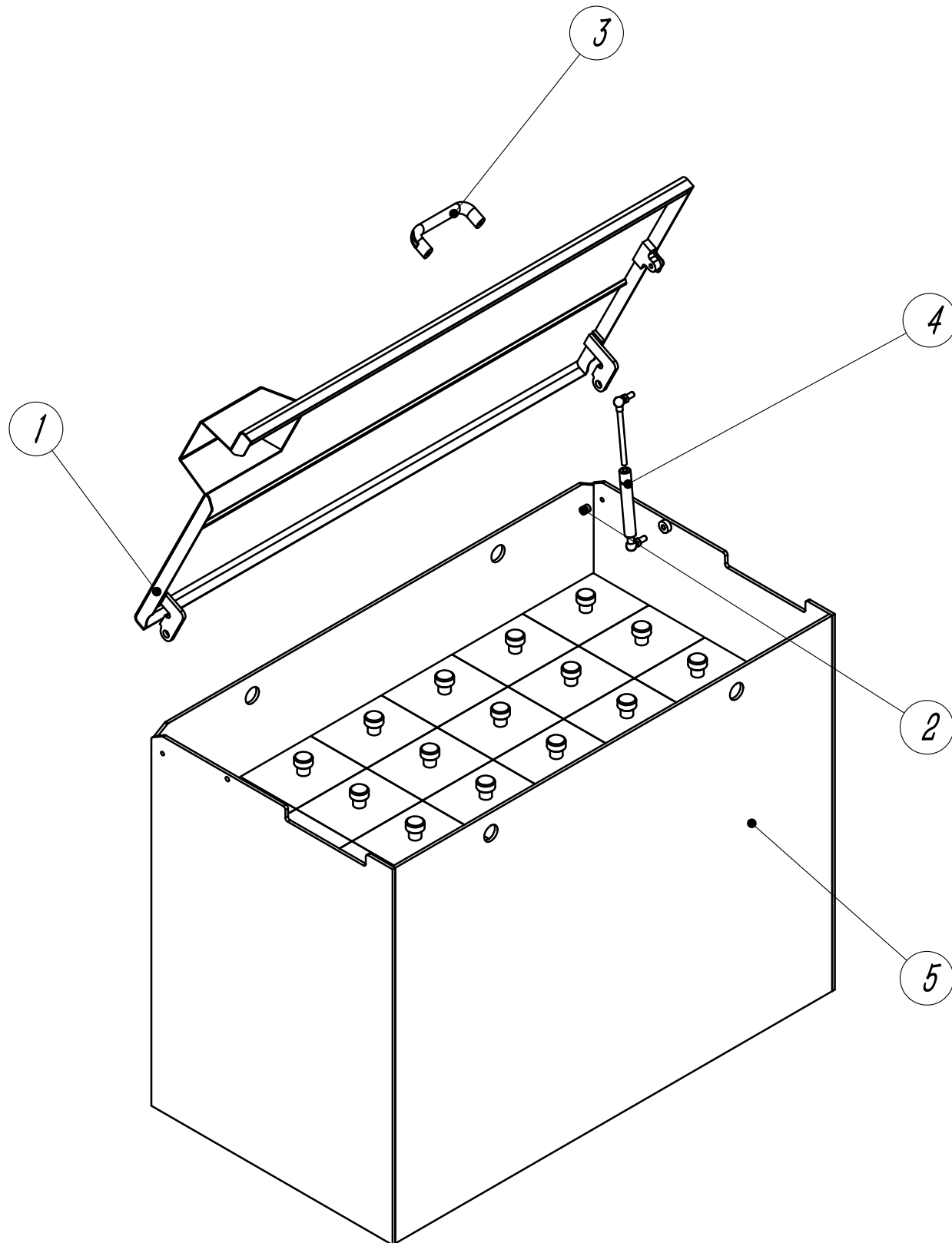
Suitable for MQC40 model



| No. | Code | Name | Qty | Remark |
|-----|--------------------|------------------------|-----|--------|
| 1 | MQC35.7.1 | Battery assembly | 1 | |
| 2 | 1222-5101-2 | Control assembly | 4 | |
| 3 | 1232SE-5321-7Q | Control assembly | 1 | |
| 4 | BV85R | Handle | 1 | |
| 5 | C832833B700 | USB charger socket | 1 | |
| 6 | DJB-24B | Buzzer | 1 | |
| 7 | DL2280-24V | Horn | 1 | |
| 8 | FZ3-132-133 | Accelerator-Comesys | 2 | |
| 9 | JK410 | Ignition Switch | 1 | |
| 10 | JCP200-050A | Vehicle display screen | 1 | |
| 11 | IME12-04BPSZW2S | Proximity switch | 6 | |
| 12 | MQC35.7.2 | Contactor assembly | 1 | |
| 13 | PCV-00000457 | Quadruple switch | 1 | |
| 14 | YY17251H24B-ZC | Fan | 2 | |
| 15 | XQJ15-BYT5 | Lifting motor | 1 | |
| 16 | XQJ8-BYT2 | Drive motor | 2 | |
| 17 | ZB030048024TA-BYT | DC transverter | 1 | |
| 18 | REB0514(45V28)PF-R | Electromagnetic brake | 2 | |
| 19 | | | | |
| 20 | | | | |
| 21 | | | | |
| 22 | | | | |
| 23 | | | | |
| 24 | | | | |

Fig.6-2 MQC35.7.1 Battery assembly

Suitable for MQC40 model



| No. | Code | Name | Qty | Remark |
|-----|----------------|----------------------------|-----|--------|
| 1 | MQC35.7.1.2 | Battery cover plate welded | 1 | |
| 2 | GT091213 | Spacer bush | 2 | |
| 3 | M.643FM-140B-6 | Hand shank | 1 | |
| 4 | BQTH160 | Gas spring | 1 | |
| 5 | QDC48-560-7 | Traction battery | 1 | |
| 6 | | | | |
| 7 | | | | |
| 8 | | | | |
| 9 | | | | |
| 10 | | | | |
| 11 | | | | |
| 12 | | | | |
| 13 | | | | |
| 14 | | | | |
| 15 | | | | |
| 16 | | | | |
| 17 | | | | |
| 18 | | | | |
| 19 | | | | |
| 20 | | | | |
| 21 | | | | |
| 22 | | | | |
| 23 | | | | |
| 24 | | | | |